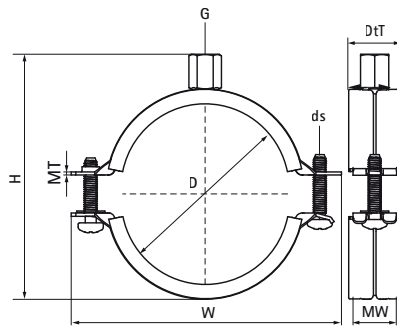


Walraven 2S Clamp with Lining (M8/10)

(A05136)

for steel, copper, cast iron and plastic (multilayer) pipe



Features & benefits

- gapless range
- rubber lining grips in steel parts to prevent sliding of the lining
- anti loss washers prevent screws from falling out during installation
- material: steel
- zinc plated
- temperature resistance from -30 °C to +120 °C
- sound insulating lining according DIN 4109
- noise reduction according to ISO 3822-1 up to 22 dB(A)



Product Number	RSK Number	DN	Pipe Diameter Imperial	Connection Thread	Total Height	Total Width	Total Depth	Material Width	Material Thickness	Screw Size	Maximum Allowed Load Faz	Approvals
Reference letter		D	D	G	H	W	DtT	MW	MT	ds	Fa,z	
Unit description			"		mm	mm	mm	mm	mm		N	
33435014	3793668	DN 8	1/4	M8/M10	40	51	23	20	1.00	M5	330	CE, ETA, RAL-GZ 655/B, ITB (KOT), EPD
33435019	3793669	DN 10	3/8	M8/M10	45	56	23	20	1.00	M5	330	CE, ETA, RAL-GZ 655/B, ITB (KOT), EPD
33435024	3793670	DN 15	1/2	M8/M10	51	62	23	20	1.00	M5	330	CE, ETA, RAL-GZ 655/B, ITB (KOT), EPD
33435030	3793671	DN 20	3/4	M8/M10	58	69	23	20	1.00	M5	330	CE, ETA, RAL-GZ 655/B, ITB (KOT), EPD
33435037	3793672	DN 25	1	M8/M10	64	75	23	20	1.00	M5	330	CE, ETA, RAL-GZ 655/B, ITB (KOT)
33435046	3793673	DN 32	1 1/4	M8/M10	74	84	23	20	1.25	M5	500	CE, ETA, RAL-GZ 655/B, ITB (KOT), EPD
33435052	3793674	DN 40	1 1/2	M8/M10	82	93	23	20	1.25	M5	500	CE, ETA, RAL-GZ 655/B, ITB (KOT), EPD
33435061	3793675	DN 50	2	M8/M10	88	99	23	20	1.25	M5	500	CE, ETA, RAL-GZ 655/B, ITB (KOT), EPD
33435067	3793676	-	-	M8/M10	95	106	23	20	1.25	M5	500	CE, ETA, RAL-GZ 655/B, ITB (KOT), EPD
33435074	3793677	-	-	M8/M10	103	118	23	20	1.50	M6	850	CE, ETA, RAL-GZ 655/B, ITB (KOT), EPD
33435081	3793678	DN 65	2 1/2	M8/M10	109	124	23	20	1.50	M6	850	CE, ETA, RAL-GZ 655/B, ITB (KOT), EPD
33435087	3793679	-	-	M8/M10	115	130	23	20	1.50	M6	850	CE, ETA, RAL-GZ 655/B, ITB (KOT), EPD
33435095	3793680	DN 80	3	M8/M10	127	143	26	23	2.00	M6	1,000	CE, ETA, RAL-GZ 655/B, ITB (KOT), EPD
33435103	3793681	-	-	M8/M10	136	153	26	23	2.00	M6	1,000	CE, ETA, RAL-GZ 655/B, ITB (KOT), EPD
33435112	3793682	-	-	M8/M10	142	159	26	23	2.00	M6	1,000	CE, ETA, RAL-GZ 655/B, ITB (KOT), EPD
33435118	3793683	DN 100	4	M8/M10	151	168	26	23	2.00	M6	1,000	CE, ETA, RAL-GZ 655/B, ITB (KOT), EPD
33435127	3793684	-	-	M8/M10	161	178	26	23	2.00	M6	1,000	CE, ETA, RAL-GZ 655/B, ITB (KOT), EPD
33435137	3793685	-	-	M8/M10	168	185	26	23	2.00	M6	1,000	CE, ETA, RAL-GZ 655/B, ITB (KOT), EPD
33435144	3793686	DN 125	5	M8/M10	177	194	26	23	2.00	M6	1,000	CE, ETA, RAL-GZ 655/B, ITB (KOT), EPD
33435153	3793687	-	-	M8/M10	186	203	26	23	2.00	M6	1,000	CE, ETA, RAL-GZ 655/B, ITB (KOT), EPD
33435162	3793688	-	-	M8/M10	194	211	26	23	2.00	M6	1,000	CE, ETA, RAL-GZ 655/B, ITB (KOT), EPD

Walraven 2S Clamp with Lining (M8/10)

(A05136)

for steel, copper, cast iron and plastic (multilayer) pipe

Product Number	RSK Number	DN	Pipe Diameter Imperial	Connection Thread	Total Height	Total Width	Total Depth	Material Width	Material Thickness	Screw Size	Maximum Allowed Load Faz	Approvals
<i>Reference letter</i>		<i>D</i>	<i>D</i>	<i>G</i>	<i>H</i>	<i>W</i>	<i>DtT</i>	<i>MW</i>	<i>MT</i>	<i>ds</i>	<i>Fa,z</i>	
<i>Unit description</i>			"		mm	mm	mm	mm	mm		N	
33435172	3793738	DN 150	6	M8/M10	210	227	28	25	2.50	M6	2,350	CE, ETA, RAL-GZ 655/B, ITB (KOT), EPD
33435183	3793739	-	-	M8/M10	221	239	28	25	2.50	M6	2,350	CE, ETA, RAL-GZ 655/B, ITB (KOT), EPD
33435194	3793740	-	-	M8/M10	232	249	28	25	2.50	M6	2,350	CE, ETA, RAL-GZ 655/B, ITB (KOT), EPD
33435205	3793741	-	-	M8/M10	243	260	28	25	2.50	M6	2,350	CE, ETA, RAL-GZ 655/B, ITB (KOT), EPD
33435216	3793742	-	-	M8/M10	253	271	28	25	2.50	M6	2,350	CE, ETA, RAL-GZ 655/B, ITB (KOT), EPD
33435225	3793743	DN 200	8	M8/M10	261	279	28	25	2.50	M6	2,350	CE, ETA, RAL-GZ 655/B, ITB (KOT), EPD