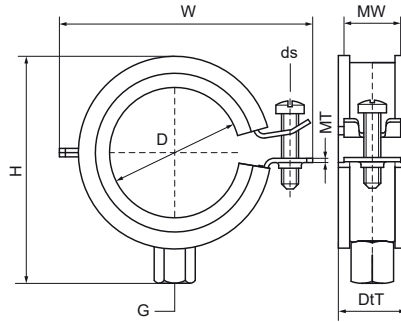


Walraven BISMAT® 2000 (M8/10) 1-screw

(A0516)

for steel, copper, cast iron and plastic (multilayer) pipe



Features & benefits

- single screw clamp
- with Walraven BISMAT® quick locking system
- material: steel
- zinc plated
- sound insulating lining according DIN 4109
- noise reduction according to ISO 3822-1 up to 23 dB(A)
- tested for fire safety



Product Number	RSK Number	DN	Pipe Diameter Imperial	Connection Thread	Material Width	Material Thickness	Screw Size	Total Height	Total Width	Total Depth	Approvals	Maximum Allowed Load Faz
Reference letter		D	D	G	MW	MT	ds	H	W	DtT		F _{0,z}
Unit description			"		mm	mm		mm	mm	mm		N
3403018	3804779	DN 10	3/8	M8/M10	20	1.00	M6	46	47	25	RAL-GZ 656, ITB (KOT), CE, ETA, ISO 3822-1, RAL-GZ 655/B, EPD	600
3403023	3804780	DN 15	1/2	M8/M10	20	1.00	M6	51	52	25	RAL-GZ 656, ITB (KOT), CE, ETA, ISO 3822-1, RAL-GZ 655/B, EPD	600
3403028	3804781	DN 20	3/4	M8/M10	20	1.00	M6	56	57	25	RAL-GZ 656, ITB (KOT), CE, ETA, ISO 3822-1, RAL-GZ 655/B, EPD	600
3403035	3804782	DN 25	1	M8/M10	20	1.00	M6	63	64	25	RAL-GZ 656, ITB (KOT), CE, ETA, ISO 3822-1, RAL-GZ 655/B, EPD	600
3403043	3804783	DN 32	1 1/4	M8/M10	20	1.25	M6	71	72	25	RAL-GZ 656, ITB (KOT), CE, ETA, ISO 3822-1, RAL-GZ 655/B, EPD	800
3403053		DN 40	1 1/2	M8/M10	20	1.25	M6	79	80	25	RAL-GZ 656, ITB (KOT), CE, ETA, ISO 3822-1, RAL-GZ 655/B, EPD	800
3403054		-	-	M8/M10	20	1.25	M6	84	85	25	RAL-GZ 656, ITB (KOT), CE, ETA, ISO 3822-1, RAL-GZ 655/B, EPD	800
3403063	3804784	DN 50	2	M8/M10	20	1.25	M6	90	91	25	RAL-GZ 656, ITB (KOT), CE, ETA, ISO 3822-1, RAL-GZ 655/B, EPD	800