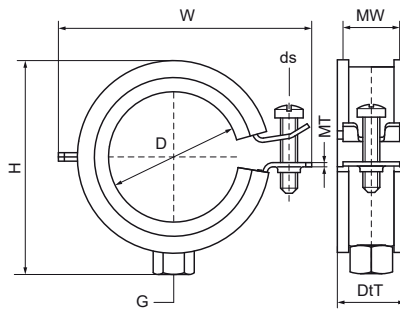


Walraven BISMAT® 2000 (M8) 1-screw

(A0517)

for steel, copper, cast iron and plastic (multilayer) pipe



Features & benefits

- single screw clamp
- with Walraven BISMAT® quick locking system
- material: steel
- zinc plated
- sound insulating lining according DIN 4109
- noise reduction according to ISO 3822-1 up to 23 dB(A)
- tested for fire safety



Product Number	RSK Number	DN	Pipe Diameter Imperial	Connection Thread	Material Width	Material Thickness	Screw Size	Total Height	Total Width	Total Depth	Approvals	Maximum Allowed Load Faz
Reference letter		D	D	G	MW	MT	ds	H	W	DtT		Fo,z
Unit description			"		mm	mm		mm	mm	mm		N
3413014	3804769	DN 8	1/4	M8	20	1.00	M6	37	47	24	ITB (KOT), CE, ETA, ISO 3822-1, RAL-GZ 655/B, RAL-GZ 656, EPD	600
3413018	3804771	DN 10	3/8	M8	20	1.00	M6	38	47	25	RAL-GZ 656, ITB (KOT), CE, ETA, ISO 3822-1, RAL-GZ 655/B, EPD	600
3413023	3820121	DN 15	1/2	M8	20	1.00	M6	43	52	25	RAL-GZ 656, ITB (KOT), CE, ETA, ISO 3822-1, RAL-GZ 655/B, EPD	600
3413028	3804772	DN 20	3/4	M8	20	1.00	M6	48	57	25	RAL-GZ 656, ITB (KOT), CE, ETA, ISO 3822-1, RAL-GZ 655/B, EPD	600
3413035	3804773	DN 25	1	M8	20	1.00	M6	55	64	25	RAL-GZ 656, ITB (KOT), CE, ETA, ISO 3822-1, RAL-GZ 655/B, EPD	600
3413039		-	-	M8	20	1.25	M6	64	72	26	ITB (KOT), CE, ETA, ISO 3822-1, RAL-GZ 655/B, RAL-GZ 656	800
3413043	3804774	DN 32	1 1/4	M8	20	1.25	M6	63	72	25	RAL-GZ 656, ITB (KOT), CE, ETA, ISO 3822-1, RAL-GZ 655/B, EPD	800
3413045	3804775	-	-	M8	20	1.25	M6	63	72	25	ITB (KOT), CE, ETA, ISO 3822-1, RAL-GZ 655/B, RAL-GZ 656	800
3413053	3804776	DN 40	1 1/2	M8	20	1.25	M6	71	80	25	RAL-GZ 656, ITB (KOT), CE, ETA, ISO 3822-1, RAL-GZ 655/B, EPD	800
3413054	3804777	-	-	M8	20	1.25	M6	76	85	25	RAL-GZ 656, ITB (KOT), CE, ETA, ISO 3822-1, RAL-GZ 655/B, EPD	800
3413063	3804778	DN 50	2	M8	20	1.25	M6	82	91	25	RAL-GZ 656, ITB (KOT), CE, ETA, ISO 3822-1, RAL-GZ 655/B, EPD	800