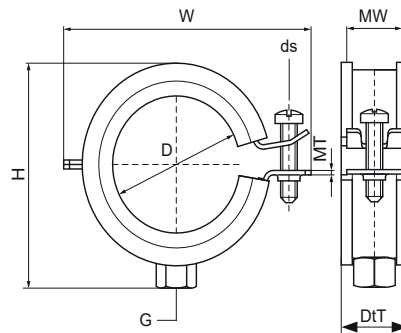


## Walraven BISMAT® 2000 'S' (M8) 1-screw

(A0532)

for steam pipes



### Features & benefits

- single screw clamp
- with Walraven BISMAT® quick locking system
- clamp easy to close with one hand
- material: steel
- zinc plated
- sound insulating lining according DIN 4109
- tested for fire safety
- heat resistant up to 210°C



EPD

Product Number	DN	Pipe Diameter Imperial	Connection Thread	Material Width	Material Thickness	Screw Size	Total Height	Total Width	Total Depth	Approvals	Maximum Allowed Load Faz
Reference letter	D	D	G	MW	MT	ds	H	W	DtT		F <sub>a,z</sub>
Unit description	"			mm	mm		mm	mm	mm		N
3404018	DN 10	3/8	M8/M10	20	1.00	M6	46	47	26	RAL-GZ 656, EPD	600
3404023	DN 15	1/2	M8/M10	20	1.00	M6	51	52	26	RAL-GZ 656, EPD	600
3404028	DN 20	3/4	M8/M10	20	1.00	M6	56	57	26	RAL-GZ 656, EPD	600
3404035	DN 25	1	M8/M10	20	1.00	M6	63	64	26	RAL-GZ 656, EPD	600
3404043	DN 32	1 1/4	M8/M10	20	1.25	M6	71	72	26	RAL-GZ 656, EPD	800
3404053	DN 40	1 1/2	M8/M10	20	1.25	M6	79	80	26	RAL-GZ 656, EPD	800
3404063	DN 50	2	M8/M10	20	1.25	M6	90	91	26	RAL-GZ 656, EPD	800