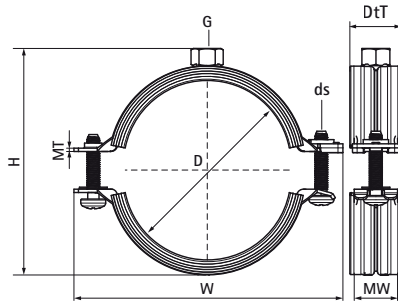
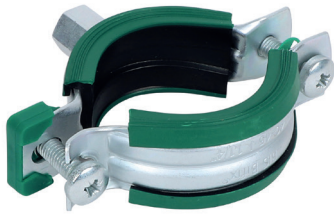


## Walraven Bifix® G2 with Lining (M8) (BUP1000)

(A0544)

for steel, copper, cast iron and plastic (multilayer) pipe



### Features & benefits

- two-screw clamp
- quick closing mechanism for easy locking of the clamp with one hand
- 2 component rubber lining provides easy positioning of the pipe during installation
- when the clamp is closed, the pipe rests on soft black rubber lining for increased noise reduction
- suitable for steel, copper, cast iron and plastic (multilayer) pipe
- material: steel
- product is part of the Walraven BIS UltraProtect® 1000 system
- suitable for in- and outdoor applications
- stands min. 1,000 hours salt spray test (max. 5% red rust) according to ISO 9227
- temperature resistance from -30 °C to +120 °C
- sound insulating lining according DIN 4109
- noise reduction according to ISO 3822-1 up to 23 dB(A)



Product Number	RSK Number	DN	Pipe Diameter Imperial	Connection Thread	Total Height	Total Width	Total Depth	Material Width	Material Thickness	Screw Size	Maximum Allowed Load Faz	Approvals
Reference letter		D	D	G	H	W	DtT	MW	MT	ds	Fo,z	
Unit description			"		mm	mm	mm	mm	mm		N	
31185019	3793769	DN 10	3/8	M8	38	63	24	20	1.25	M6	700	RAL-GZ 655/B, ITB (KOT), ISO 3822-1, EPD
31185023	3793770	DN 15	1/2	M8	43	68	24	20	1.25	M6	700	RAL-GZ 655/B, ITB (KOT), ISO 3822-1, EPD
31185028	3793771	DN 20	3/4	M8	49	74	24	20	1.25	M6	700	RAL-GZ 655/B, ITB (KOT), ISO 3822-1, EPD
31185035	3793772	DN 25	1	M8	59	80	24	20	1.25	M6	700	RAL-GZ 655/B, ITB (KOT), ISO 3822-1, EPD
31185039	3793773	-	-	M8	63	84	24	20	1.25	M6	700	RAL-GZ 655/B, ITB (KOT), ISO 3822-1, EPD
31185045	3793774	DN 32	1 1/4	M8	68	91	24	20	1.25	M6	700	RAL-GZ 655/B, ITB (KOT), ISO 3822-1, EPD
31185052	3793775	DN 40	1 1/2	M8	76	97	24	20	1.25	M6	700	RAL-GZ 655/B, ITB (KOT), ISO 3822-1, EPD
31185058	3793776	-	-	M8	86	104	24	20	1.25	M6	700	RAL-GZ 655/B, ITB (KOT), ISO 3822-1, EPD
31185064	3793777	DN 50	2	M8	93	109	24	20	1.25	M6	700	RAL-GZ 655/B, ITB (KOT), ISO 3822-1, EPD
31185070	3793778	-	-	M8	99	118	24	20	1.50	M6	800	RAL-GZ 655/B, ITB (KOT), ISO 3822-1, EPD
31185079	3793779	DN 65	2 1/2	M8	105	125	24	20	1.50	M6	800	RAL-GZ 655/B, ITB (KOT), ISO 3822-1, EPD
31185083	3793780	-	-	M8	112	132	24	20	1.50	M6	800	RAL-GZ 655/B, ITB (KOT), ISO 3822-1, EPD
31185014	3793768	DN 8	1/4	M8	34	59	24	20	1.25	M6	700	RAL-GZ 655/B, ITB (KOT), ISO 3822-1, EPD