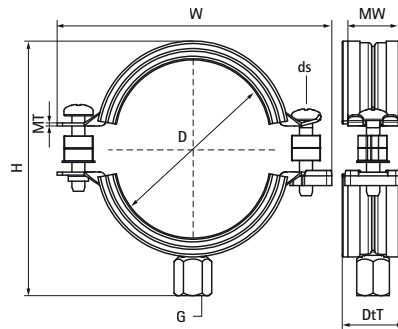
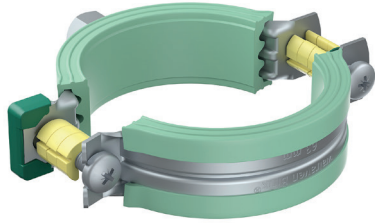


Walraven Bifix® 5000 G2 (BUP1000) (M8/M10)

(A2509)

for plastic pipes



Features & benefits

- two-screw clamp
- with quick locking system
- with removable spacer washers, making the clamp suitable for either sliding or anchoring
- material: steel
- product is part of the Walraven BIS UltraProtect® 1000 system
- suitable for in- and outdoor applications
- stands min. 1,000 hours salt spray test (max. 5% red rust) according to ISO 9227
- sound insulating lining according DIN 4109

EPD

Product Number	RSK Number	Connection Thread	Total Height	Total Width	Total Depth	Material Width	Material Thickness	Screw Size	Maximum Allowed Load Faz	Approvals
Reference letter		G	H	W	DtT	MW	MT	ds	Fa,z	
Unit description			mm	mm	mm	mm	mm		N	
3188016	3793485	M8/M10	56	63	25	20	1.25	M6	600	EPD
3188020	3793486	M8/M10	61	68	25	20	1.25	M6	600	EPD
3188025	3793487	M8/M10	67	74	25	20	1.25	M6	600	EPD
3188032	3793488	M8/M10	76	84	25	20	1.25	M6	600	EPD
3188040	3793489	M8/M10	81	91	25	20	1.25	M6	600	EPD
3188050	3793490	M8/M10	94	97	25	20	1.25	M6	600	EPD
3188056	3793491	M8/M10	99	104	25	20	1.25	M6	600	EPD
3188063	3793492	M8/M10	106	109	25	20	1.25	M6	600	EPD
3188075	3793493	M8/M10	118	125	25	20	1.50	M6	600	EPD
3188090	3793494	M8/M10	135	142	28	23	2.00	M6	1,400	EPD
3188110	3793495	M8/M10	153	164	28	23	2.00	M6	1,400	EPD
3188125	3793496	M8/M10	159	181	28	23	2.00	M6	1,400	EPD
3188135		M8/M10	179	191	28	23	2.00	M6	1,400	EPD
3188160	3793497	M8/M10	210	225	30	25	2.50	M8	1,700	EPD
3188058		M8/M10	106	109	25	20	1.25	M6	600	EPD
3188078	3793832	M8/M10	120	131	25	20	1.50	M6	600	EPD
3188200	3793831	M10	246	269	30	25	2.50	M8	1,700	EPD