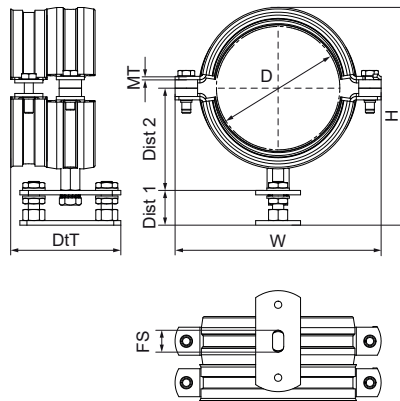


## Walraven BISMAT® 1000 Stand Pipe Clamp

(A3010)

for stand pipes



### Features & benefits

- adjustable wall plate with Walraven BISMAT® SL Guidance clamp and Walraven BISMAT® SX Socket clamp
- unique set for the installation of cast iron or plastic stand pipes
- to be mounted every second floor, height 3.0 m (from Ø 125 mm, one each floor)
- fixing free of tension throughout infinite adjustment
- adjustable distance between pipe and wall
- material: steel
- zinc plated
- noise insulation tested according to DIN 4109 (insulation exceeds standards)



Product Number	RSK Number	DN	Total Height	Total Width	Total Depth	Fixing Slot	Material Thickness	Maximum Allowed Load Faz
Reference letter		D	H	W	DtT	FS	MT	F <sub>0,z</sub>
Unit description			mm	mm	mm	mm	mm	N
3363070	3803946	DN 70	160	149	98	19,5x10	3.00	650
3363075	3803987	DN 70	165	154	98	19,5x10	3.00	650
3363080	3804038	DN 80	170	159	98	19,5x10	3.00	820
3363090		DN 80	174	163	98	19,5x10	3.00	820
3363100	3804039	DN 100	195	184	98	19,5x10	3.00	820
3363125	3804040	DN 125	210	199	98	19,5x10	3.00	820
3363150	3804042	DN 150	245	234	98	19,5x10	3.00	820
3363200	3804043	DN 200	284	295	98	19,5x10	3.00	820