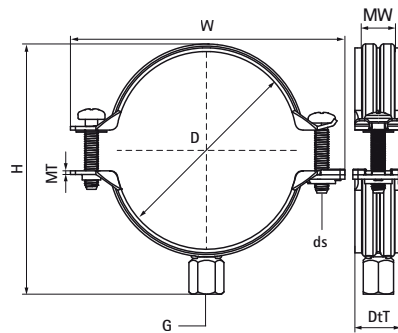


## Walraven Bifix® G2 (M8/10) (BUP1000)

(B0504)

for insulated, steel and cast iron pipes



### Features & benefits

- two-screw clamp
- with quick locking system
- perfect solution for pipe supports, also for outdoor installations
- material: steel
- product is part of the Walraven BIS UltraProtect® 1000 system
- suitable for in- and outdoor applications
- stands min. 1,000 hours salt spray test (max. 5% red rust) according to ISO 9227



Product Number	RSK Number	DN	Pipe Diameter Imperial	Connection Thread	Total Height	Total Width	Total Depth	Material Width	Material Thickness	Screw Size	Maximum Allowed Load Faz	Approvals
Reference letter		D	D	G	H	W	DtT	MW	MT	ds	Fa,z	
Unit description		"	"		mm	mm	mm	mm	mm		N	
3008014	3804065	DN 8	1/4	M8/M10	36	52	22	20	1.25	M6	1,200	RAL-GZ 655/B, CE, ETA, EPD
3008019	3804066	DN 10	3/8	M8/M10	41	59	22	20	1.25	M6	1,200	RAL-GZ 655/B, CE, ETA, EPD
3008023	3804067	DN 15	1/2	M8/M10	45	63	22	20	1.25	M6	1,200	RAL-GZ 655/B, CE, ETA, EPD
3008028	3804068	DN 20	3/4	M8/M10	50	68	22	20	1.25	M6	1,200	RAL-GZ 655/B, CE, ETA, EPD
3008035	3804070	DN 25	1	M8/M10	61	74	22	20	1.25	M6	1,200	RAL-GZ 655/B, CE, ETA, EPD
3008039	3804071	-	-	M8/M10	66	80	22	20	1.25	M6	1,200	RAL-GZ 655/B, CE, ETA, EPD
3008045	3804072	DN 32	1 1/4	M8/M10	70	84	22	20	1.25	M6	1,200	RAL-GZ 655/B, CE, ETA, EPD
3008052	3804073	DN 40	1 1/2	M8/M10	76	91	22	20	1.25	M6	1,200	RAL-GZ 655/B, CE, ETA, EPD
3008058	3804074	-	-	M8/M10	83	97	22	20	1.25	M6	1,200	RAL-GZ 655/B, CE, ETA, EPD
3008064	3804075	DN 50	2	M8/M10	88	104	22	20	1.25	M6	1,200	RAL-GZ 655/B, CE, ETA, EPD
3008070	3804076	-	-	M8/M10	95	110	22	20	1.25	M6	1,200	RAL-GZ 655/B, CE, ETA, EPD
3008079	3804077	DN 65	2 1/2	M8/M10	107	118	22	20	1.50	M6	1,300	RAL-GZ 655/B, CE, ETA, EPD
3008083	3804078	-	-	M8/M10	108	125	22	20	1.50	M6	1,300	RAL-GZ 655/B, CE, ETA, EPD
3008091	3804079	DN 80	3	M8/M10	123	134	26	23	2.00	M6	1,800	RAL-GZ 655/B, CE, ETA, EPD
3008105	3804080	-	-	M8/M10	135	148	26	23	2.00	M6	1,800	RAL-GZ 655/B, CE, ETA, EPD
3008115	3804081	DN 100	4	M8/M10	147	155	26	23	2.00	M6	1,800	RAL-GZ 655/B, CE, ETA, EPD
3008130	3804082	-	-	M8/M10	164	172	26	23	2.00	M6	1,800	RAL-GZ 655/B, CE, ETA, EPD
3008140	3804083	DN 125	5	M8/M10	171	181	26	23	2.00	M6	1,800	RAL-GZ 655/B, CE, ETA, EPD
3008160	3804084	-	-	M8/M10	190	201	26	23	2.00	M6	1,800	RAL-GZ 655/B, CE, ETA, EPD
3008169	3804096	DN 150	6	M8/M10	204	217	28	25	2.50	M8	3,600	RAL-GZ 655/B, CE, ETA, EPD
3008180	3804097	-	-	M8/M10	216	229	28	25	2.50	M8	3,600	RAL-GZ 655/B, CE, ETA, EPD
3008200	3804098	-	-	M8/M10	233	248	28	25	2.50	M8	3,600	RAL-GZ 655/B, CE, ETA, EPD
3008210	3804099	-	-	M8/M10	248	261	28	25	2.50	M8	3,600	RAL-GZ 655/B, CE, ETA, EPD
3008225	3804100	DN 200	8	M8/M10	260	275	28	25	2.50	M8	3,600	RAL-GZ 655/B, CE, ETA, EPD