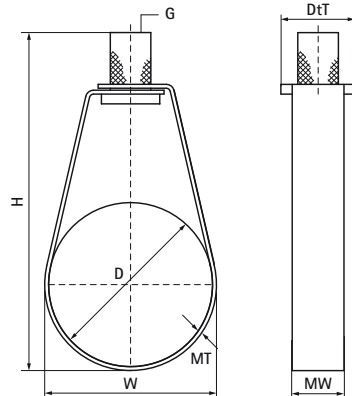


## Walraven Sprinkler Clamp TA41

(B1215)

for sprinkler pipes



### Features & benefits

- one-part clamp
- for sprinkler pipes up to 8" (221 mm)
- with knurled nut for fixing to stud bolt or threaded rod
- material: steel
- clamp: pre-galvanized; nut: zinc plated
- with FM approval - certificate number 3024336
- UL listed - certificate number VFXT.EX9140



Product Number	RSK Number	DN	Pipe Diameter Imperial	Connection Thread	Material Width	Material Thickness	Total Height	Total Width	Total Depth	Approvals	Maximum Allowed Load Faz
Reference letter		D	D	G	MW	MT	H	W	DtT		Fa,z
Unit description			"		mm	mm	mm	mm	mm		N
4535021	3810331	DN 15	1/2	M10	16	1.00	87	27	23	FM, UL, ITB (KOT), EPD	1,500
4535027	3810332	DN 20	3/4	M10	16	1.00	85	30	23	FM, UL, ITB (KOT), EPD	1,500
4535034	3810333	DN 25	1	M10	16	1.00	91	36	23	FM, UL, ITB (KOT), EPD	1,500
4535042	3810334	DN 32	1 1/4	M10	16	1.00	100	45	23	FM, UL, ITB (KOT), EPD	1,500
4535048	3810335	DN 40	1 1/2	M10	16	1.00	102	51	23	FM, UL, ITB (KOT), EPD	1,500
4535060	3810336	DN 50	2	M10	16	1.00	118	64	23	FM, UL, ITB (KOT), EPD	1,500
4535076	3810337	DN 65	2 1/2	M10	22	2.00	133	79	22	FM, UL, ITB (KOT), EPD	4,500
4535089	3810338	DN 80	3	M10	22	2.00	147	95	22	FM, UL, ITB (KOT), EPD	4,500
4535114	3810339	DN 100	4	M10	22	2.00	180	120	22	FM, UL, ITB (KOT), EPD	4,500
4535140	3810340	DN 125	5	M12	27	3.00	213	150	35	FM, UL, ITB (KOT)	5,200
4535168	3810341	DN 150	6	M12	27	3.00	244	177	35	FM, UL, ITB (KOT)	5,200
4535219	3810342	DN 200	8	M12	27	3.00	314	228	35	FM, UL, ITB (KOT)	5,200