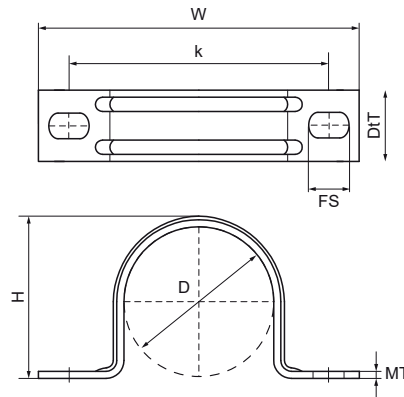


## Walraven Pipe Saddle (zp)

(B3005)

for cables, steel and PVC pipes



### Features & benefits

- one-part saddle
- for diameters of more than 10 mm, the slotted hole allows to adjust small deviations of installations
- for cables, steel and PVC pipes
- 2 nerves
- material: steel
- zinc plated

Product Number	Pipe Diameter Imperial	Fixing Hole	Fixing Slot	Heart To Heart Distance	Material Thickness	Total Height	Total Width	Total Depth	Maximum Allowed Load Faz
Reference letter	D	FH	FS	k	MT	H	W	DtT	F <sub>0,z</sub>
Unit description	"	mm	mm	mm	mm	mm	mm	mm	N
0805017	3/8		6x4,5	33	0.80	17	48	15	1,000
0805021	1/2		6x4,5	38	1.20	21	54	15	1,500
0805025			6x4,5	45	1.20	27.8	58	15	1,500
0805027	3/4		6x4,5	45.5	1.20	29	59	15	1,500
0805028			6x4,5	47.5	1.20	26	15	62	1,500
0805033	1		6x4,5	52.5	1.20	33	66	14	1,500
0805043	1 1/4		7x5,5	68	1.20	44	84	20	2,000
0805048	1 1/2		7x5,5	68	1.20	47	93	20	2,000
0805061	2		7x5,5	89	1.20	61	105	20	2,000
0805022		0	6x4,5	42.5	1.20	23.3	55.5	15	1,500
0805050			8x6	79	1.20	50.2	95	20	2,000