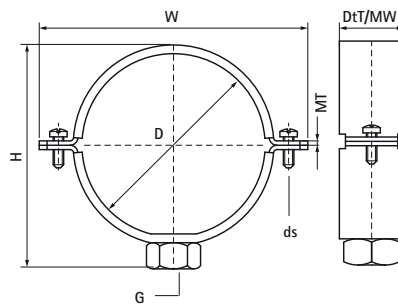


Walraven 434 Clamp (1") (zp)

(B3527)

for PE-pipe



Features & benefits

- two-screw clamp
- as guiding clamp for PE-Pipe
- for rigid fixing point fastening it is necessary to use metal clamp liners (Part No. 4337XXX)
- screws secured with anti-loss washer
- material: steel
- zinc plated



Product Number	DN	Connection Thread	Total Height	Total Width	Total Depth	Material Width	Material Thickness	Screw Size	Maximum Allowed Load Faz	Approvals
Reference letter	D	G	H	W	DtT	MW	MT	ds	Fa,z	
Unit description			mm	mm	mm	mm	mm		N	
4383161	DN 150	G1"	192	238	38	30	3.00	M8	1,100	ITB (KOT), EPD
4383200	DN 200	G1"	230	281	38	38	4.00	M8	6,200	ITB (KOT), EPD
4383225	-	G1"	255	303	38	38	4.00	M8	6,200	ITB (KOT), EPD
4383250	DN 250	G1"	280	325	38	38	4.00	M8	6,200	ITB (KOT), EPD
4383315	DN 300	G1"	345	393	38	38	4.00	M8	6,200	ITB (KOT), EPD