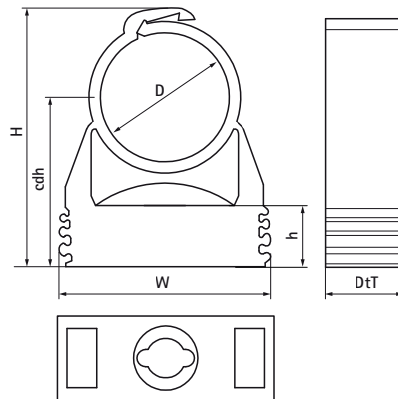


Walraven starQuick® Clamp (White)

(C0510)

for securing conduits and pipes to walls, floors, or ceilings



Features & benefits

- one-part clamp
- clamp closes by applying pressure to the pipe
- for outdoor use and installations in swimming pool environments, chemical factories, zinc factories, etc.
- due to a patented profile it is possible to tack several clamps to each other
- material: modified PA6 (polyamide), white (according to RAL 9003)
- resistant to UV, ageing, oil and petrol
- no corrosion, recyclable, halogen free
- temperature resistance from approx. -40 °C to approx. +90 °C (constant); short to approx. +130 °C



Product Number	RSK Number	Total Height	Total Width	Total Depth	Clamp Center Distance Height	Height	Connection Thread	Maximum Allowed Load Faz	Breaking Load Fbz
Reference letter		H	W	DtT	cdh	h	G	F _{a,z}	F _{b,z}
Unit description		mm	mm	mm	mm	mm		N	N
0855010	3811340	34	29	17	24	12.1	None	500	500
0855012	3811341	36	29	17	25	10.6	None	180	550
0855015	3811342	36	29	17	25	10.6	None	200	600
0855018	3811343	40	29	17	27	10.6	None	230	700
0855022	3811344	43	29	17	28	10.6	None	270	800
0855028	3889113	50	40	18	32	10.6	None	280	850
0855031	3811345	55	40	17	36	10.6	None	300	900
0855035	3889114	59	43	17	37	10.6	None	330	1,000
0855038	3811347	68	47	17	44	10.6	None	330	1,100
0855042	3889115	70	52	17	44	12.1	None	330	1,200
0855050	3889116	79	57	17	50	12.1	None	330	1,300
0855054	3889117	82	63	17	50	12.1	None	330	1,400
0855063	3889118	95	74	20	57	12.1	None	500	1,500