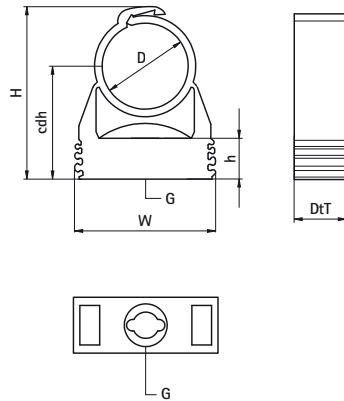


Walraven starQuick® Clamp - M6 (Grey)

(C0515)

for securing conduits and pipes to walls, floors, or ceilings



Features & benefits

- one-part clamp
- clamp closes by applying pressure to the pipe
- for outdoor use and installations in swimming pool environments, chemical factories, zinc factories, etc.
- due to a patented profile it is possible to tack several clamps to each other
- with pre-assembled connection nut M6
- material: modified PA6 (polyamide), grey (according to RAL 7035)
- resistant to UV, ageing, oil and petrol
- no corrosion, recyclable, halogen free
- temperature resistance from approx. -40 °C to approx. +90 °C (constant); short to approx. +130 °C



Product Number	Total Height	Total Width	Total Depth	Clamp Center Distance Height	Height	Connection Thread	Maximum Allowed Load Faz	Breaking Load Fbz
Reference letter	H	W	DtT	cdh	h	G	Fa,z	Fb,z
Unit description	mm	mm	mm	mm	mm		N	N
0854615	40	29	17	25	10.6	M6	200	600
0854618	44	29	17	27	10.6	M6	230	700
0854622	48	29	17	28	10.6	M6	270	800
0854628	50	40	18	32	10.6	M6	280	850
0854631	61	40	17	36	10.6	M6	300	900
0854635	65	43	17	37	10.6	M6	330	1,000
0854638	74	47	17	44	12.1	M6	330	1,000
0854642	78	52	17	44	12.1	M6	330	1,000
0854654	91	63	17	50	12.1	M6	330	1,000
0854612	40	29	17	25	10.6	M6	180	550