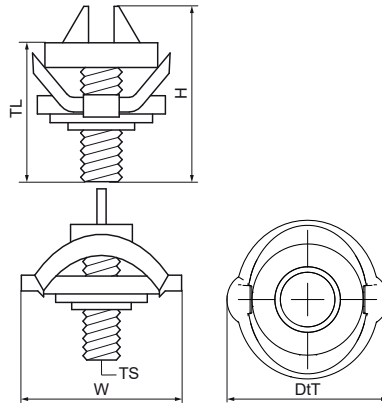


## Walraven starQuick® Hammerfix

(C0580)

for use with Walraven starQuick®



### Features & benefits

- material: metal parts made of steel 1.0332;  
spring(s) made of POM (polyoxymethylene), green
- zinc plated

Product Number	RSK Number	Thread Size	Thread Length	Total Height	Total Width	Total Depth
<i>Reference letter</i>		<i>TS</i>	<i>TL</i>	<i>H</i>	<i>W</i>	<i>DtT</i>
<i>Unit description</i>			<i>mm</i>	<i>mm</i>	<i>mm</i>	<i>mm</i>
0854338	3889124	M8	14	29	35	35