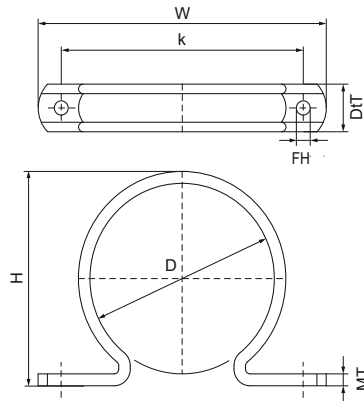


## Walraven PVC Saddle

(C3505)

for plastic pipes



### Features & benefits

- one-part saddle
- by design, the pipe is separated from underground
- material: hard PVC (polyvinylchloride), grey or white
- UV-stabilized

Product Number	Fixing Hole	Heart To Heart Distance	Material Thickness	Total Height	Total Width	Total Depth	Maximum Allowed Load Faz
Reference letter	FH	k	MT	H	W	DtT	F <sub>a,z</sub>
Unit description	mm	mm	mm	mm	mm	mm	N
1800032	6	53	4.50	45	73	20	300
1800040	6	57	4.50	52	77	20	300
1800050	6	68	4.50	63	88	20	300
1800063	6	79	4.50	74	99	20	300
1800070	6	79	4.50	83	99	20	300
1800075	6	78	4.50	88	98	20	300
1800080	6	101	4.50	90	121	20	300
1800090	6	106	4.50	104	126	20	300
1800100	6	111	4.50	114	131	20	300
1800110	6	107	4.50	124	127	20	300
1800125	6	123	4.50	138	143	20	300