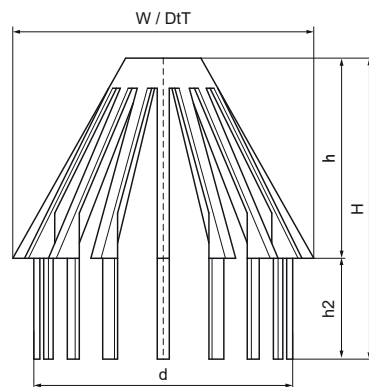


Walraven Leaf Trap

for rainwater drainage pipe

(C4505)



Features & benefits

- prevents blockage of down pipe caused by leaves and other debris in the gutter
- material: PP (polypropylene), grey (according to RAL 7035)

| Product Number | Height | Height 2 | Total Height | Total Width | Total Depth |
|------------------|-----------|------------|--------------|-------------|-------------|
| Reference letter | <i>h</i> | <i>h 2</i> | <i>H</i> | <i>W</i> | <i>DtT</i> |
| Unit description | <i>mm</i> | <i>mm</i> | <i>mm</i> | <i>mm</i> | <i>mm</i> |
| 5952060 | 43 | 25 | 68 | 83 | 83 |
| 5952080 | 64 | 34 | 98 | 103 | 103 |