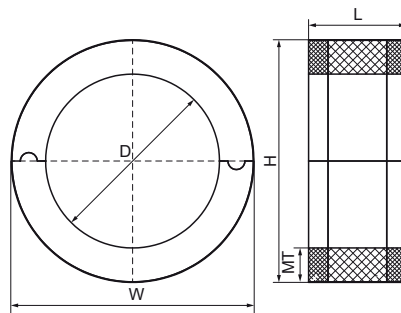


Walraven BISOFIX® E13

(D0302)

for insulated pipes



Features & benefits

- for combination with elastomeric foam insulation
- vapourproof glueable with pipe insulation
- does not contain CFC, HCFC, formaldehyde or cadmium
- fire class B2
- PIR density for $D < 80\text{mm} = 80\text{kg/m}^3$
- PIR density for $D > 80\text{mm} = 120\text{kg/m}^3$
- temperature range $-45\text{ }^\circ\text{C} - +105\text{ }^\circ\text{C}$



Product Number	RSK Number	DN	Total Height	Total Width	Total Length	Material Thickness	Maximum Allowed Load Faz
Reference letter		D	H	W	L	MT	Fa,z
Unit description			mm	mm	mm	mm	N
I13000008	3853179		35	35	50	13.30	100
I13000010	3853180		37	37	50	13.30	100
I13000012	3853181		39	39	50	13.30	100
I13000015	3853182		42	42	50	13.30	100
I13000018	3853183	DN 10	45	45	50	13.30	100
I13000022	3853184	DN 15	49	49	50	13.30	100
I13000028	3853185	DN 20	55	55	50	13.30	100
I13000035	3853186	DN 25	62	62	50	13.30	100
I13000042	3853187	DN 32	69	69	50	13.30	150
I13000048	3853188	DN 40	75	75	50	13.30	225
I13000054	3853189		81	81	50	13.30	225
I13000057	3853190		84	84	50	13.30	350
I13000060	3853191	DN 50	88	88	50	13.90	350
I13000064	3853192		100	100	50	18.00	350
I13000070	3853193		103	103	50	16.30	425
I13000076	3853194	DN 65	109	109	50	16.30	575
I13000089	3853195	DN 80	125	125	50	17.90	875
I13000102	3853196		134	134	50	16.30	1,000
I13000108	3853197		141	141	50	16.30	1,075
I13000114	3853198	DN 100	152	152	50	18.90	1,250
I13000133	3853199		166	166	100	16.30	1,475
I13000140	3853200	DN 125	176	176	100	18.20	1,700
I13000160	3853201		193	193	100	16.30	1,950
I13000168	3853202	DN 150	201	201	100	16.30	2,125