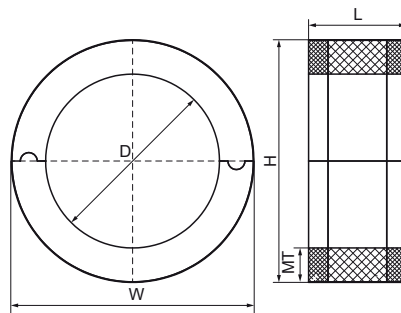


Walraven BISOFIX® E19

(D0314)

for insulated pipes



Features & benefits

- for combination with elastomeric foam insulation
- vapourproof glueable with pipe insulation
- does not contain CFC, HCFC, formaldehyde or cadmium
- fire class B2
- PIR density for $D < 80\text{mm} = 80\text{kg/m}^3$
- PIR density for $D > 80\text{mm} = 120\text{kg/m}^3$
- temperature range $-45\text{ °C} - +105\text{ °C}$



Product Number	RSK Number	DN	Total Height	Total Width	Total Length	Material Thickness	Maximum Allowed Load Faz
Reference letter		D	H	W	L	MT	Fa,z
Unit description			mm	mm	mm	mm	N
I19000012	3853203		51	51	50	19.30	100
I19000015	3853204		54	54	50	19.50	100
I19000018	3853205	DN 10	57	57	50	19.30	100
I19000022	3853206	DN 15	61	61	50	19.30	100
I19000028	3853207	DN 20	67	67	50	19.30	100
I19000035	3853208	DN 25	75	75	50	19.90	100
I19000042	3853209	DN 32	81	81	50	19.30	150
I19000048	3853210	DN 40	88	88	50	19.90	225
I19000054	3853211		100	100	50	23.00	225
I19000057	3853212		103	103	50	23.00	225
I19000060	3853213	DN 50	100	100	50	19.90	350
I19000064	3853214		115	115	50	25.30	350
I19000070	3853215		125	125	50	27.30	425
I19000076	3853216	DN 65	127	127	50	25.30	575
I19000089	3853217	DN 80	140	140	50	25.30	875
I19000102	3853218		152	152	50	25.30	1,000
I19000108	3853219		159	159	50	25.30	1,075
I19000114	3853220	DN 100	165	165	50	25.30	1,250
I19000133	3853221		192	192	100	29.50	1,475
I19000140	3853222	DN 125	192	192	100	26.20	1,950
I19000160	3853223		211	211	100	25.30	2,125
I19000168	3853224	DN 150	219	219	100	25.30	3,525
I19000219	3853225	DN 200	270	270	100	25.30	3,525
I19000356			407	407	100	25.30	3,525
I19000273		DN 250	324	324	100	25.30	3,525
I19000324		DN 300	375	375	100	25.30	3,525