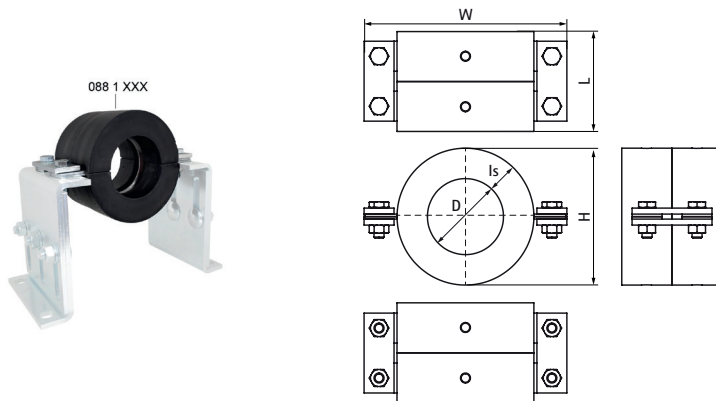


Walraven BISOFIX® CF Cold FixPoint Clamp

(E0503)



Features & benefits

- insulated cold clamps made of pressure-resistant Polyurethane foam
- integral foam inner recess for mounting of the pressure flange
- outer link plates (galvanized) for connection to two piece set by crossbars
- high axial force absorption by the site welded to the pipe pressure flange
- durable materials ensure a long-term and reliable operation security
- PUR foam density ca. 250 kg/m³
- flammability class B2 (DIN 4102)
- K value 0.042 W/mK at 0 °C

Product Number	RSK Number	Connection Thread	Total Height	Total Width	Total Length	Insulation Thickness	Maximum Allowed Load Faz	Maximum Allowed Load Fay
Reference letter		G	H	W	L	Is	Fa,z	Fa,y
Unit description			mm	mm	mm	mm	N	N
0881076	4436490	None	137	203	100	30	3,600	2,500
0881088	4436491	None	150	211	100	30	4,300	3,000
0881114	4436492	None	193	274	110	40	6,900	4,000
0881133	4436493	None	214	300	120	40	7,700	4,500
0881139	4436494	None	217	300	120	40	8,100	4,500
0881159	4436495	None	239	319	120	40	9,200	6,000
0881168	4436496	None	253	328	120	40	9,700	6,000
0881219	4436497	None	340	439	200	60	23,000	9,000
0881273	4436498	None	393	493	200	60	28,000	12,000