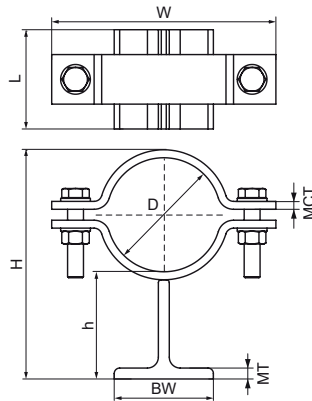


## Walraven Pipe Shoe T 1-clamp (hdg)

(E0570)

for steel pipes



### Features & benefits

- for light duty fixing of pipes and tubes to steel beams, profiles, brackets
- suitable for fixing points in case of rigid fixing
- suitable for sliding support
- bolts, nuts and washers are included
- T-Profile 100x100x11 EN 10055
- material: steel 1.0038 (S235JR)
- hot dip galvanized
- for operating temperatures up to +300 °C

Product Number	Pipe Diameter Imperial	DN	Total Height	Total Width	Total Length	Height	Base Width	Material Thickness	Maximum Clamp Thickness
Reference letter	D	D	H	W	L	h	BW	MT	MCT
Unit description	"		mm	mm	mm	mm	mm	mm	mm
466111025		DN 20	135	100	100	105	100	11.00	5
466111027	¾	DN 20	137	100	100	105	100	11.00	5
466111030		DN 25	140	100	100	105	100	11.00	5
466111034	1	DN 25	144	102	100	105	100	11.00	5
466111038		DN 32	148	106	100	105	100	11.00	5
466111043	1¼	DN 32	153	112	100	105	100	11.00	5
466111045		DN 40	155	114	100	105	100	11.00	5
466111049	1½	DN 40	159	118	100	105	100	11.00	5
466111057		DN 50	169	140	100	106	100	11.00	6
466111061	2	DN 50	173	144	100	106	100	11.00	6
466111077	2½	DN 65	189	158	100	106	100	11.00	6
466111089	3	DN 80	201	172	100	106	100	11.00	6
466111108		DN 100	224	220	100	108	100	11.00	8
466111115	4	DN 100	231	226	100	108	100	11.00	8