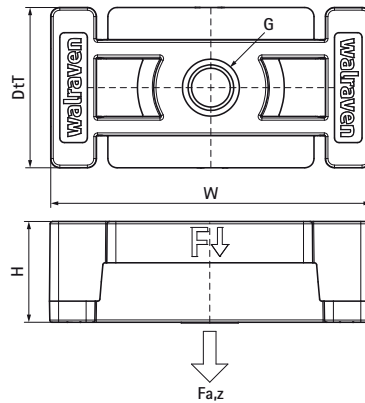
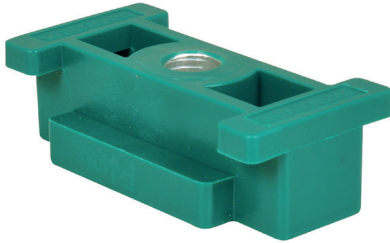


Walraven Slide Block GFRP (BUP1000)

(E1045)

fixing with sliding assemblies



Features & benefits

- long sliding way for pipe thermal expansion or contraction
- can also be used as a cross-slide
- suitable for all Walraven RapidStrut® Fixing Rail excluding DS5
- suitable for ceiling mounting (hanging) and floor mounting (standing mounted)
- very low installation height, little space requirement
- movement freely selectable, limitations and securing by U-washers
- material: hanger nut made of steel; plastic part made of Polyamide 6 (PA6), 30% glass fiber reinforced
- sliding friction coefficient $\mu = 0,30$
- product is part of the Walraven UltraProtect® 1000 system
- suitable for in- and outdoor applications
- stands min. 1,000 hours salt spray test (max. 5% red rust) according to ISO 9227
- temperature resistance from $-30\text{ }^{\circ}\text{C}$ to $+90\text{ }^{\circ}\text{C}$

Product Number	RSK Number	Connection Thread	Total Height	Total Width	Total Depth	Maximum Allowed Load $F_{a,z}$
Reference letter		G	H	W	D _T	$F_{a,z}$
Unit description			mm	mm	mm	N
6662810	4125764	M10	21	70	35	1,550