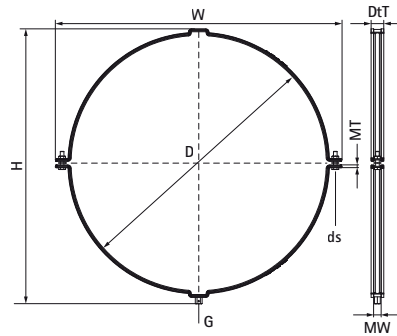


## Walraven Aero® (M8/M10)

(F0504)

for spiral ventilation ducts



### Features & benefits

- with quick locking system
- patented design
- rubber lining is conjoined with the clamp (lining stays attached when sliding the spiral duct)
- material: pipe clamp made of steel
- pre-galvanized
- noise insulating lining made of TPE rubber, black



Product Number	RSK Number	Connection Thread	Total Height	Total Width	Total Depth	Material Width	Material Thickness	Screw Size	Maximum Allowed Load Faz	Approvals
<i>Reference letter</i>		G	H	W	D <sub>T</sub>	MW	MT	ds	F <sub>a,z</sub>	
<i>Unit description</i>			mm	mm	mm	mm	mm		N	
4115450	3803960	M8/M10	498	524	28	25	2.00	M8	1,150	ITB (KOT)
4115500	3803961	M8/M10	548	574	28	25	2.00	M8	1,150	ITB (KOT)
4115560		M8/M10	608	634	28	25	2.00	M8	1,150	ITB (KOT)
4115600		M8/M10	649	675	28	25	2.00	M8	1,150	ITB (KOT)
4115630	3803983	M8/M10	679	705	28	25	2.00	M8	1,150	ITB (KOT)