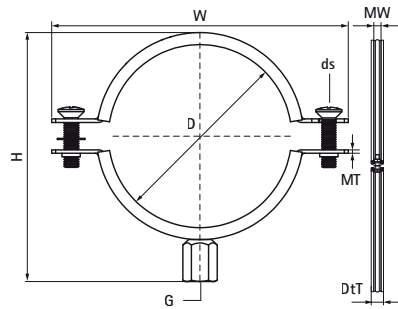


Walraven Spiral Duct Clamp with Lining

(F0506)

for spiral ventilation ducts



Features & benefits

- two-screw clamp
- with quick lock
- material: steel
- zinc plated
- sound insulating lining according DIN 4109
- sound insulating lining of aging resistant EPDM rubber, black



| Product Number | Connection Thread | Total Height | Total Width | Total Depth | Material Width | Material Thickness | Screw Size | Maximum Allowed Load Faz | Approvals |
|------------------|-------------------|--------------|-------------|-------------|----------------|--------------------|------------|--------------------------|-----------|
| Reference letter | G | H | W | DtT | MW | MT | ds | F _{0,z} | |
| Unit description | | mm | mm | mm | mm | mm | | N | |
| 4103080 | M8/M10 | 109 | 126 | 23 | 20 | 1.50 | M6 | 500 | ITB (KOT) |
| 4103100 | M8/M10 | 129 | 147 | 23 | 20 | 1.50 | M6 | 500 | ITB (KOT) |
| 4103125 | M8/M10 | 154 | 129 | 23 | 20 | 1.50 | M6 | 500 | ITB (KOT) |
| 4103140 | M8/M10 | 169 | 144 | 23 | 20 | 1.50 | M6 | 500 | ITB (KOT) |
| 4103150 | M8/M10 | 179 | 154 | 23 | 20 | 1.50 | M6 | 500 | ITB (KOT) |
| 4103160 | M8/M10 | 189 | 164 | 23 | 20 | 1.50 | M6 | 500 | ITB (KOT) |
| 4103180 | M8/M10 | 209 | 184 | 23 | 20 | 1.50 | M6 | 500 | ITB (KOT) |
| 4103200 | M8/M10 | 229 | 204 | 23 | 20 | 1.50 | M6 | 500 | ITB (KOT) |
| 4103225 | M8/M10 | 253 | 228 | 23 | 20 | 1.50 | M6 | 500 | ITB (KOT) |
| 4103250 | M8/M10 | 279 | 254 | 23 | 20 | 1.50 | M6 | 500 | ITB (KOT) |
| 4103280 | M8/M10 | 309 | 285 | 23 | 20 | 1.50 | M6 | 500 | ITB (KOT) |
| 4103300 | M8/M10 | 329 | 305 | 23 | 20 | 1.50 | M6 | 500 | ITB (KOT) |
| 4103315 | M8/M10 | 344 | 320 | 23 | 20 | 1.50 | M6 | 500 | ITB (KOT) |
| 4103355 | M8/M10 | 384 | 360 | 23 | 20 | 1.50 | M6 | 500 | ITB (KOT) |
| 4103400 | M8/M10 | 429 | 405 | 23 | 20 | 1.50 | M6 | 500 | ITB (KOT) |
| 4103450 | M8/M10 | 483 | 455 | 29 | 25 | 2.00 | M6 | 1,300 | ITB (KOT) |
| 4103500 | M8/M10 | 532 | 505 | 29 | 25 | 2.00 | M6 | 1,300 | ITB (KOT) |
| 4103560 | M8/M10 | 591 | 565 | 29 | 25 | 2.50 | M10 | 1,300 | ITB (KOT) |
| 4103600 | M8/M10 | 631 | 605 | 29 | 25 | 2.50 | M10 | 1,300 | ITB (KOT) |
| 4103630 | M8/M10 | 664 | 636 | 29 | 25 | 2.50 | M10 | 1,300 | ITB (KOT) |