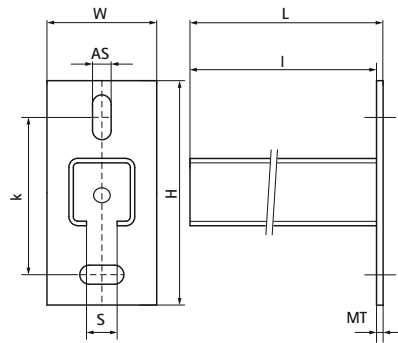
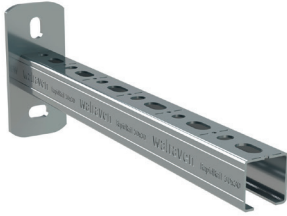


Walraven RapidRail® Cantilever Arm

(G1007)

fixing to wall, floor or ceiling



Features & benefits

- base plate with welded C-profile
- for quick and adjustable fixing of one or multiple pipes
- CO₂ welded
- with continuous perforation
- with sawing marks each 50 mm
- unique hole pattern at type 30x20 allows to click in Walraven RapidRail® Hammerfix from both sides
- material: base plate made of steel 1.0332 (DD11)
- material: profiles type 27x18 and 30x20 made of steel 1.0330 (DC01)
- material: profiles type 30x15 and 30x30 made of steel 1.0038 (S235JR)
- zinc plated
- for more information about the max. allowed load (Faz) please refer to the loading tables or our online datasheet "Technical Details Walraven RapidRail®"



Product Number	RSK Number	Type	Length	Total Height	Total Width	Total Length	Material Thickness	Anchoring Slot	Profile Opening	Heart To Heart Distance
Reference letter			I	H	W	L	MT	AS	S	k
Unit description			mm	mm	mm	mm	mm	mm	mm	mm
66036805	4125735	38x40	1,050	130	48	1,050	5.00	25x11	15	90
66036820	4125736	38x40	200	130	48	200	5.00	25x11	15	90
66036825	4125737	38x40	250	130	48	250	5.00	25x11	15	90
66036835	4125725	38x40	350	130	48	350	5.00	25x11	15	90
66036840	4125726	38x40	400	130	48	400	5.00	25x11	15	90
66036850	4125727	38x40	500	130	48	500	5.00	25x11	15	90
66036860	4125728	38x40	600	130	48	600	5.00	25x11	15	90
66036875	4125738	38x40	750	130	48	750	5.00	25x11	15	90
66031815	3892170	27x18	150	110	38	154	4.00	16x11	15	70
66031820	3892171	27x18	200	110	38	204	4.00	16x11	15	70
66031830	3892172	27x18	300	110	38	304	4.00	16x11	15	70
66031850	3892173	27x18	500	110	38	504	4.00	16x11	15	70
66031520	3892174	30x15	200	110	38	204	4.00	16x11	15	70
66031530	3892175	30x15	300	110	38	304	4.00	16x11	15	70
66032015	3892176	30x20	150	110	38	154	4.00	16x11	15	70
66032020	3892177	30x20	200	110	38	204	4.00	16x11	15	70
66032025	3892178	30x20	250	110	38	254	4.00	16x11	15	70
66033020	3892179	30x30	200	110	48	205	5.00	18x11	15	70
66033025	3892180	30x30	250	110	48	255	5.00	18x11	15	70
66033030	3892181	30x30	300	110	48	305	5.00	18x11	15	70
66033040	3892182	30x30	400	110	48	405	5.00	18x11	15	70
66033050	3892183	30x30	500	110	48	505	5.00	18x11	15	70