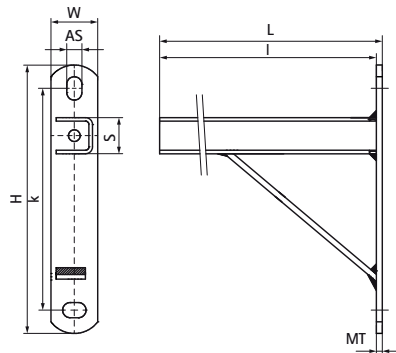
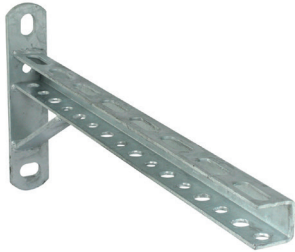


## Walraven Cantilever Arm - U-shaped

(G1020)

fixing to wall or ceiling



### Features & benefits

- U-profile welded on wall plate
- anchoring slots at 90° to each other to simplify fixing
- fixing slots and holes available in the U-profile
- material: steel
- hot dip galvanized

Product Number	RSK Number	Type	Length	Total Height	Total Width	Total Length	Material Thickness	Anchoring Slot	Profile Opening	Heart To Heart Distance
<i>Reference letter</i>			<i>l</i>	<i>H</i>	<i>W</i>	<i>L</i>	<i>MT</i>	<i>AS</i>	<i>S</i>	<i>k</i>
<i>Unit description</i>			<i>mm</i>	<i>mm</i>	<i>mm</i>	<i>mm</i>	<i>mm</i>	<i>mm</i>	<i>mm</i>	<i>mm</i>
6601911	3820330	With prop	250	180	40	255	5.00	20x13	24	190
6601912	3820331	With prop	300	180	40	305	5.00	20x13	24	190
6601913	3820332	With prop	400	180	40	405	5.00	20x13	24	190
6601914	3820333	With prop	600	180	40	605	5.00	20x13	24	190
6601915	3820334	With prop	800	245	40	805	5.00	20x13	24	360
6601917	3820336	With prop	1,000	245	40	1,005	5.00	20x13	24	360