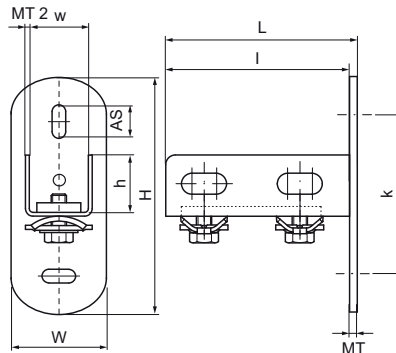


## Walraven RapidRail® Wall Plate

(G1505)

base foot to connect fixing rails



### Features & benefits

- flexible base plate to connect fixing rails with individual length
- suitable for rails 27x18, 30x15, 30x20, 30x30
- to be used on wall, floor or ceiling
- rail can be fixed with slot downwards or sideways
- anchoring slots at 90° to each other to simplify fixing
- CO<sub>2</sub> welded
- Productnr. 6613200 with pre-assembled Walraven RapidRail® slide nuts for a quick fixing, and retains assembly in place before final tightening
- Productnr. 6613202 without pre-assembled slide nuts and fasteners
- material: metal parts made of steel 1.0332; spring(s) made of POM (polyoxymethylene), green
- zinc plated



Product Number	RSK Number	For Rail Type	Total Height	Total Width	Total Length	Width	Height	Length	Heart To Heart Distance	Anchoring Slot	Material Thickness	Material Thickness 2
Reference letter			H	W	L	w	h	l	k	AS	MT	MT 2
Unit description			mm	mm	mm	mm	mm	mm	mm	mm	mm	mm
6613200	3820196	27x18, 30x15, 30x20, 30x30, 30x45, 38x40	123	50	100	35	32	96	83	23.5x11	4.00	2