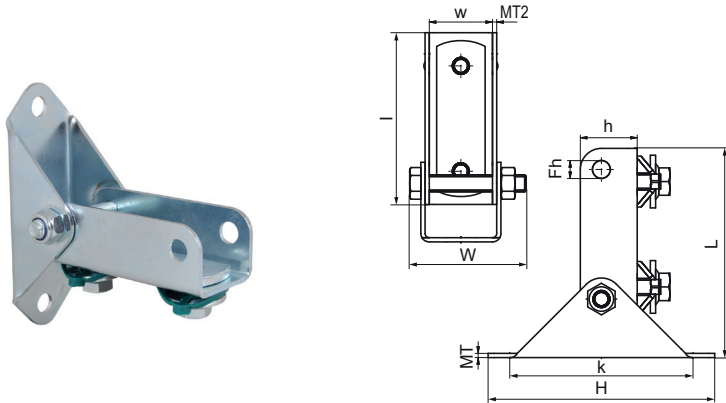


Walraven RapidRail® Wall Plate (Hinged)

(G1510)

adjustable base foot to connect fixing rails



Features & benefits

- wall plate with hinging U-profile
- support with flexible angle to strengthen rail constructions
- for fixing of rail to sloping walls
- material: steel
- zinc plated

Product Number	RSK Number	For Rail Type	Total Height	Total Width	Total Length	Width	Height	Length	Heart To Heart Distance	Fixing Hole	Material Thickness	Material Thickness 2
<i>Reference letter</i>			<i>H</i>	<i>W</i>	<i>L</i>	<i>w</i>	<i>h</i>	<i>l</i>	<i>k</i>	<i>FH</i>	<i>MT</i>	<i>MT2</i>
<i>Unit description</i>			<i>mm</i>	<i>mm</i>	<i>mm</i>	<i>mm</i>	<i>mm</i>	<i>mm</i>	<i>mm</i>	<i>mm</i>	<i>mm</i>	<i>mm</i>
6613250	3820854	27x18, 30x15, 30x20, 30x30, 30x45, 38x40	107	55.3	99.3	30	27	81.5	87	8.5	2.00	2