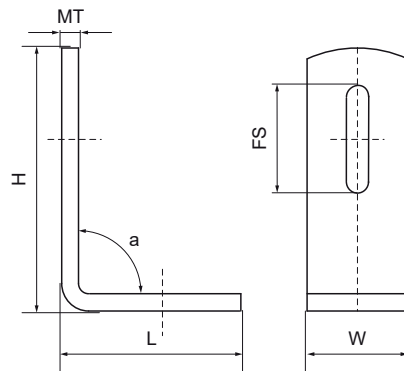


## Walraven Rail Connector

(G3525)

to make Walraven RapidRail® fabrications



### Features & benefits

- to make rail fabrications
- suitable for rails 27x18, 30x15, 30x20, 30x30, 30x30, 30x45 and 38x40
- material: steel
- zinc plated



| Product Number          | RSK Number | For Rail Type                     | Angle    | Total Height | Total Width | Total Length | Material Thickness | Fixing Slot | Torque Moment For Installation |
|-------------------------|------------|-----------------------------------|----------|--------------|-------------|--------------|--------------------|-------------|--------------------------------|
| <i>Reference letter</i> |            |                                   | <i>a</i> | <i>H</i>     | <i>W</i>    | <i>L</i>     | <i>MT</i>          | <i>FS</i>   | <i>T inst.</i>                 |
| <i>Unit description</i> |            |                                   | °        | mm           | mm          | mm           | mm                 | mm          | Nm                             |
| 6585090                 | 3820179    | 27x18, 30x15, 30x20, 30x30, 30x45 | 90       | 75           | 30          | 55           | 5.00               | 30,5x8,5    | 15                             |
| 6585135                 |            | 27x18, 30x15, 30x20, 30x30, 30x45 | 135      | 40           | 30          | 101          | 5.00               | 23x8,5      | 15                             |