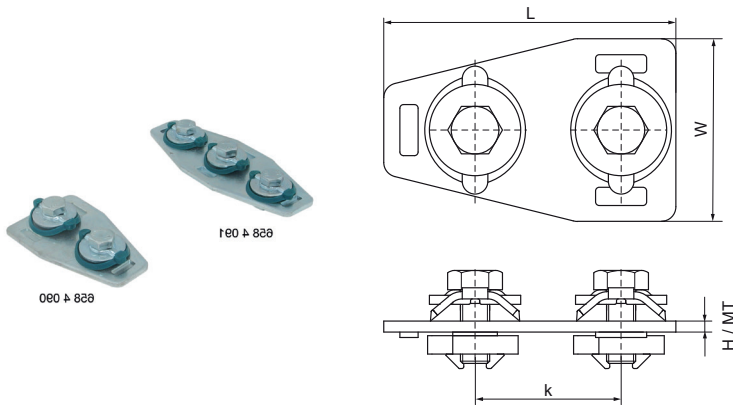


## Walraven RapidRail® T-Connector

(G3545)

to make Walraven RapidRail® fabrications



### Features & benefits

- connector with pre-assembled Walraven RapidRail® Slide nut(s)
- to make rail fabrications
- suitable for rails 27x18, 30x15, 30x20, 30x30, 30x45, 38x40
- ready-to-use pre-assembled for a quick fixing, and retains assembly in place before final tightening
- material: metal parts made of steel 1.0332; spring(s) made of POM (polyoxymethylene), green
- zinc plated
- For detailed technical information about our RAL marked products, please see the RAL datasheet in our web catalogue.

| Product Number   | RSK Number | For Rail Type                            | Total Height | Total Width | Total Length | Material Thickness | Fixing Hole | Fixing Slot | Heart To Heart Distance | Torque Moment For Installation | Maximum Allowed Load Fax |
|------------------|------------|--|--------------|-------------|--------------|--------------------|-------------|-------------|-------------------------|--------------------------------|--------------------------|
| Reference letter |            |  | H            | W           | L            | MT                 | FH          | FS          | k                       | T <sub>inst.</sub>             | F <sub>a,x</sub>         |
| Unit description |            |  | mm           | mm          | mm           | mm                 | mm          | mm          | mm                      | Nm                             | N                        |
| 6584090          | 3820351    | 27x18, 30x15, 30x20, 30x30, 30x45, 38x40 | 26.36        | 50          | 80           | 3.00               | 8.2         | 12x4        | 40                      | 15                             | 345                      |
| 6584091          | 3820352    | 27x18, 30x15, 30x20, 30x30, 30x45, 38x40 | 26.5         | 50          | 130          | 3.00               | 8.2         | 12x4        | 40                      | 15                             | 345                      |