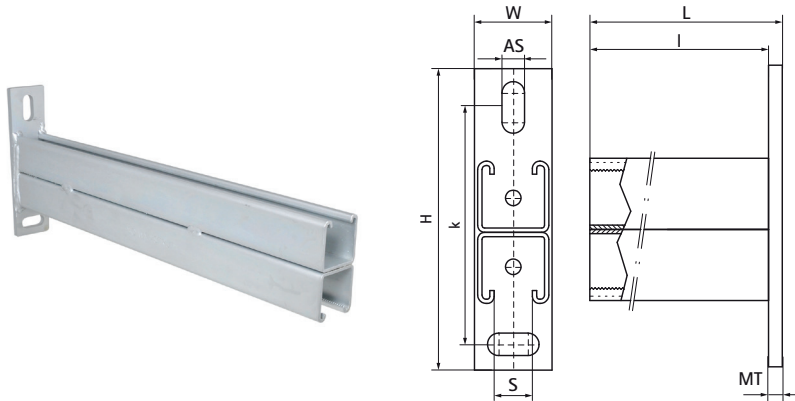


Walraven RapidStrut® Cantilever Arm 41x41D (BUP1000)

(H0810)

double profile for adapting on both sides of the cantilever



Features & benefits

- base plate with welded Double RapidStrut® Profile
- slots at 90° to each other to simplify fixing
- CO₂ welded
- inward formed flanges with serrated profile for extra grip
- material: steel 1.0332
- product is part of the Walraven Walraven UltraProtect® 1000 system
- suitable for in- and outdoor applications
- stands min. 1,000 hours salt spray test (max. 5% red rust) according to ISO 9227
- tested for fire safety.
- for more information about the max. allowed load (Faz) please refer to the loading tables or our online datasheet 'Walraven RapidStrut® Data Sheet'

Product Number	Type	Length	Total Height	Total Width	Total Length	Material Thickness	Anchoring Slot	Profile Opening	Heart To Heart Distance
<i>Reference letter</i>		<i>l</i>	<i>H</i>	<i>W</i>	<i>L</i>	<i>MT</i>	<i>AS</i>	<i>S</i>	<i>k</i>
<i>Unit description</i>		<i>mm</i>	<i>mm</i>	<i>mm</i>	<i>mm</i>	<i>mm</i>	<i>mm</i>	<i>mm</i>	<i>mm</i>
66088240	41 M - Double	400	177.5	50	410	10.00	20x13	22	135
66088260	41 M - Double	600	177.5	50	610	10.00	20x13	22	135
66088280	41 M - Double	800	177.5	50	810	10.00	20x13	22	135
66088298	41 M - Double	1,000	177.5	50	1,010	10.00	20x13	22	135