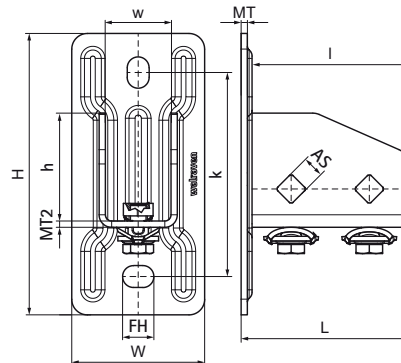


Walraven RapidStrut® Base Plate G2 (BUP1000)

(H1203)

base foot to connect fixing rails



Features & benefits

- flexible base plate for Walraven RapidStrut® rails
- suitable for all Walraven RapidStrut® rail up to 82mm height
- open side of rails 41x41 can be turned to all sides
- at high loads we advise to install with throughbolts
- timesaving with pre-assembled fasteners
- material: metal parts made of steel 1.0332; spring(s) made of POM (polyoxymethylene), green
- product is part of the Walraven UltraProtect® 1000 system
- suitable for in- and outdoor applications
- stands min. 1,000 hours salt spray test (max. 5% red rust) according to ISO 9227
- tested for fire safety according to EN 1366-1



Product Number	RSK Number	For Rail Type	Total Height	Total Width	Total Length	Width	Height	Length	Heart To Heart Distance	Anchoring Slot	Fixing Hole	Material Thickness	Material Thickness 2	Maximum Allowed Load Faz
Reference letter			H	W	L	w	h	l	k	AS	FH	MT	MT2	F _{a,z}
Unit description			mm	mm	mm	mm	mm	mm	mm	mm	mm	mm	mm	N
665885400	4125762	41x21, 41x41, 41x51, 41x62, 41x82	180	85	107	42	69	100	130.5	20x14	13.8	4.00	4	3,636