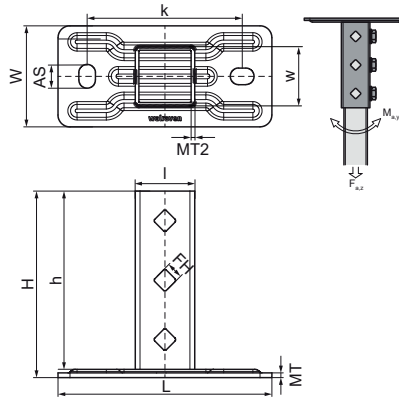


## Walraven RapidStrut® Base Plate Heavy Duty (BUP1000)

(H1213)

base foot to connect fixing rails



### Features & benefits

- heavy base plate for Walraven RapidStrut® rails
- can be used together with slide nut with plastic tabs or throughbolts
- hole pattern is adapted to the hole pattern of Walraven RapidStrut® rails
- closed profile for increased structural strength
- material: steel 1.0332
- product is part of the Walraven Walraven UltraProtect® 1000 system
- suitable for in- and outdoor applications
- stands min. 1,000 hours salt spray test (max. 5% red rust) according to ISO 9227



| Product Number   | RSK Number | For Rail Type                     | Total Height | Total Width | Total Length | Width | Height | Length | Heart To Heart Distance | Anchoring Slot | Fixing Hole | Material Thickness | Material Thickness 2 | Maximum Allowed Load Faz |
|------------------|------------|-----------------------------------|--------------|-------------|--------------|-------|--------|--------|-------------------------|----------------|-------------|--------------------|----------------------|--------------------------|
| Reference letter |            |                                   | H            | W           | L            | w     | h      | l      | k                       | AS             | FH          | MT                 | MT2                  | Fa,z                     |
| Unit description |            |                                   | mm           | mm          | mm           | mm    | mm     | mm     | mm                      | mm             | mm          | mm                 | mm                   | N                        |
| 66588641         | 4125761    | 41x21, 41x41, 41x51, 41x62, 41x82 | 157          | 85          | 180          | 50    | 150    | 50     | 130.5                   | 20x14          | 13.8        | 4.00               | 3                    | 4,242                    |
| 66588682         | 3813080    | 41x21, 41x41, 41x51, 41x62, 41x82 | 157          | 85          | 180          | 50    | 150    | 90     | 130.5                   | 20x14          | 13.8        | 4.00               | 3                    | 7,273                    |