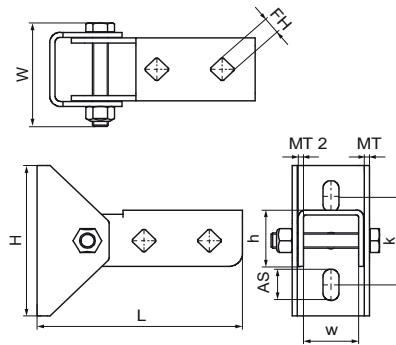


Walraven RapidStrut® Wall Plate (Hinged) (BUP1000)

(H1225)

hinged base foot to connect fixing rails with an angle



Features & benefits

- wall plate with hinging U-profile
- for wall fixing of rail
- rail can be fixed with slot downwards or sideways
- also used to strengthen constructions with Walraven RapidStrut® 41x41
- material: steel 1.0332
- product is part of the Walraven Walraven UltraProtect® 1000 system
- suitable for in- and outdoor applications
- stands min. 1,000 hours salt spray test (max. 5% red rust) according to ISO 9227



Product Number	RSK Number	For Rail Type	Total Height	Total Width	Total Length	Width	Height	Heart To Heart Distance	Anchoring Slot	Fixing Hole	Material Thickness	Material Thickness 2	Maximum Allowed Load Faz
Reference letter			H	W	L	w	h	k	AS	FH	MT	MT2	F _{0,z}
Unit description			mm	mm	mm	mm	mm	mm	mm	mm	mm	mm	N
66588814	3821375	41x21, 41x41, 41x51, 41x62, 41x82	156.5	82.2	120	59	45	70.6	25x12.2	13.8	4.00	4	2,500