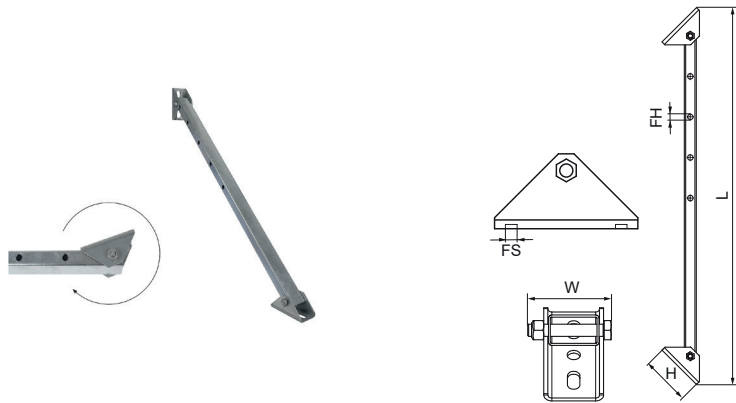


## Walraven Flexible Rail Prop

(H1607)

reinforcement of rail fabrications



### Features & benefits

- flexible angle support bracket
- to strengthen rail constructions
- by additional holes the length can be reduced in steps of 100mm
- suitable for Walraven RapidStrut® rails and for Maxx rails
- material: u-plate steel 1.0242 (S250GD); tube profile: steel 1.0038 (S235JR)
- u-plate: ZM310-MAC (pre-galvanized); tube profile: hot-dip galvanized 50-80 μm
- The safeload value is the safe load in axial direction (tension or compression) that the product can withstand in its longest version (uncutted) without damaging the connection holes or buckling the rail.

Product Number	RSK Number	Total Height	Total Width	Total Length	Fixing Hole	Fixing Slot	Angle	Maximum Allowed Load Faz
<i>Reference letter</i>		<i>H</i>	<i>W</i>	<i>L</i>	<i>FH</i>	<i>FS</i>	<i>a</i>	<i>Fa,z</i>
<i>Unit description</i>		<i>mm</i>	<i>mm</i>	<i>mm</i>	<i>mm</i>	<i>mm</i>	<i>°</i>	<i>N</i>
6621083	3849576	120	83	929.3	13	25x12,2	90	7,500