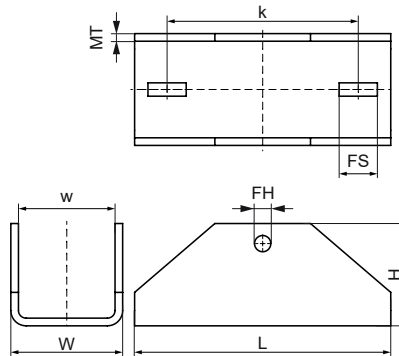
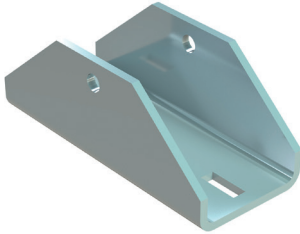


Walraven Maxx BP100H Baseplate

(H20520)

for hinged connections with Maxx profiles



Features & benefits

- U-shaped plate for hinged connections made from Maxx Profiles
- applicable as bracing element for Maxx Profile constructions
- 6581808 to be used in combination with MX80 profiles and Bolt Set M16x120mm (Part No. 614581612, to be ordered separately)
- 6581815 to be used in combination with MX100 profiles and Bolt Set M16x140mm (Part No. 614581614, to be ordered separately)
- material: steel 1.0044 (S275JR)
- hot dip galvanized

Product Number	RSK Number	For Rail Type	Total Height	Total Width	Total Length	Material Thickness	Width	Fixing Hole	Fixing Slot	Heart To Heart Distance	Maximum Allowed Load Faz	Maximum Allowed Load Fax
Reference letter			H	W	L	MT	w	FH	FS	k	F _{a,z}	F _{a,x}
Unit description			mm	mm	mm	mm	mm	mm	mm	mm	N	N
6581815	3892220	100x100	107	117	268	8.00	101	17	40x14	200	14,100	8,250
6581808		80x80	100	97	268	8.00	81	17	40x14	200	14,100	8,250