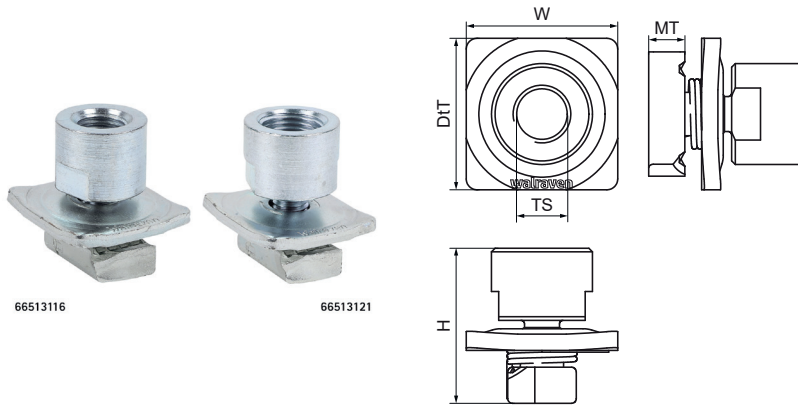


Walraven RapidStrut® Slide Nut with Adapter MS (ZP)

(H2412)

for quick connection of clamps and threaded rods



Features & benefits

- slide nut with adapter, washer and metal spring
- to connect clamps with M16 or 1/2" nut to Walraven RapidStrut® rails
- ready-to-use pre-assembled for a quick fixing, and retains assembly in place before final tightening
- solid washer for strong connection
- robust since completely made from metal
- material: base component: steel 1.0332; stud connector: steel 1.0718 (11SMnPb30)
- base component: zinc plated ISO 2081-Fe/Zn5/A (EN ISO 2081:2008); stud connector: zinc plated Fe/Zn8/An/TO (EN-ISO 19598)
- Tested values in combination with Walraven RapidStrut® Rail 41x41x2.5mm.

Product Number	RSK Number	For Rail Type	Thread Size	Material Thickness	Torque Moment For Installation	Maximum Allowed Load Fax	Maximum Allowed Load Faz	Total Height	Total Width	Total Depth
<i>Reference letter</i>			<i>TS</i>	<i>MT</i>	<i>Tinst</i>	<i>Fa,x</i>	<i>Fa,z</i>	<i>H</i>	<i>W</i>	<i>DtT</i>
<i>Unit description</i>				<i>mm</i>	<i>Nm</i>	<i>N</i>	<i>N</i>	<i>mm</i>	<i>mm</i>	<i>mm</i>
66513116	3849577	41x21, 41x41, 41x51, 41x62, 41x82	M16	10.00	40	2,790	5,000	43	42	42
66513121	3849578	41x21, 41x41, 41x51, 41x62, 41x82	G1/2"	10.00	40	2,790	5,000	43	42	42