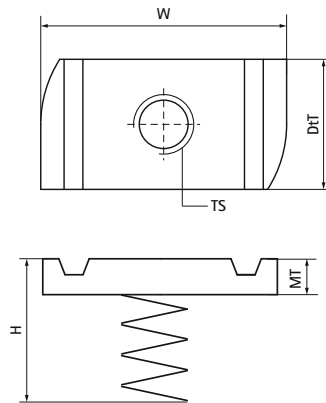


Walraven RapidStrut® Slide Nut With Spring (hdg)

(H2426)

to connect construction parts to the rail



Features & benefits

- material: slide nut made of steel 1.0332; spring made of spring steel DIN17223 (class A)
- hot dip galvanized
- M10 and higher are tested for fire safety
- Tested values in combination with Walraven RapidStrut® Rail 41x41x2.5mm.
- More details can be found on the Technical Datasheet.

Product Number	RSK Number	For Rail Type	Thread Size	Material Thickness	Torque Moment For Installation	Maximum Allowed Load Fax	Maximum Allowed Load Faz	Total Height	Total Width	Total Depth
Reference letter			TS	MT	T inst.	Fa,x	Fa,z	H	W	DtT
Unit description				mm	Nm	N	N	mm	mm	mm
6518106	3820668	41x21	M6	5.00	7	950	2,660	18	34	19
6518108	3820593	41x21	M8	6.00	25	2,200	4,500	19	34	19
6518110	3820595	41x21	M10	8.00	40	2,550	5,000	21	34	19
6518112	3820667	41x21	M12	10.00	50	2,950	5,000	22	34	19
6518206	3849571	41x41	M6	5.00	7	950	2,660	38	34	19
6518208	3820596	41x41	M8	6.00	25	2,200	4,500	39	34	19
6518210	3820597	41x41	M10	8.00	40	2,550	5,000	41	34	19
6518212	3820666	41x41	M12	10.00	50	2,950	5,000	42	34	19