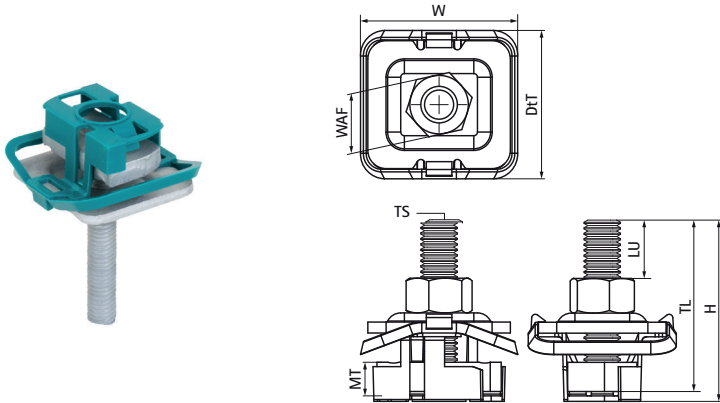


## Walraven RapidStrut® Hammerfix G2 (BUP1000)

(H2449)

for quick connection of clamps to the rail



### Features & benefits

- slide nut with stud bolt, washer and Walraven RapidStrut® spring
- ready-to-use pre-assembled for a quick fixing, and retains assembly in place before final tightening
- material: metal parts made of steel 1.0332; spring(s) made of POM (polyoxymethylene), green
- product is part of the Walraven Walraven UltraProtect® 1000 system
- suitable for in- and outdoor applications
- stands min. 1,000 hours salt spray test (max. 5% red rust) according to ISO 9227
- Tested values in combination with Walraven RapidStrut® Rail 41x41x2.5mm.
- M10 & M12 are tested for fire safety according to EN 1366-1.



| Product Number   | RSK Number | For Rail Type                     | Thread Size | Thread Length | Usable Length | Material Thickness | Width Across Flats | Torque Moment For Installation | Maximum Allowed Load Fax | Maximum Allowed Load Faz | Total Height | Total Width | Total Depth |
|------------------|------------|-----------------------------------|-------------|---------------|---------------|--------------------|--------------------|--------------------------------|--------------------------|--------------------------|--------------|-------------|-------------|
| Reference letter |            |                                   | TS          | TL            | LU            | MT                 | WAF                | T inst.                        | Fa,x                     | Fa,z                     | H            | W           | DtT         |
| Unit description |            |                                   |             | mm            | mm            | mm                 | mm                 | Nm                             | N                        | N                        | mm           | mm          | mm          |
| 652785004        | 3821797    | 41x21, 41x41, 41x51, 41x62, 41x82 | M10         | 40            | 10.56         | 8.00               | 17                 | 15                             | 1,250                    | 5,000                    | 42.85        | 43.22       | 40.8        |
| 652785006        | 3821798    | 41x21, 41x41, 41x51, 41x62, 41x82 | M10         | 60            | 30.56         | 8.00               | 17                 | 15                             | 1,250                    | 5,000                    | 62.85        | 43.22       | 40.8        |
| 652785008        | 3821799    | 41x21, 41x41, 41x51, 41x62, 41x82 | M10         | 80            | 50.56         | 8.00               | 17                 | 15                             | 1,250                    | 5,000                    | 82.85        | 43.22       | 40.8        |
| 652785204        | 3821800    | 41x21, 41x41, 41x51, 41x62, 41x82 | M12         | 40            | 7.56          | 9.00               | 19                 | 22                             | 2,440                    | 5,000                    | 41.85        | 43.22       | 40.8        |
| 652785206        | 3821801    | 41x21, 41x41, 41x51, 41x62, 41x82 | M12         | 60            | 27.56         | 9.00               | 19                 | 22                             | 2,440                    | 5,000                    | 61.85        | 43.22       | 40.8        |
| 652785804        | 3821802    | 41x21, 41x41, 41x51, 41x62, 41x82 | M8          | 40            | 14.06         | 6.00               | 13                 | 11                             | 1,100                    | 3,120                    | 44.85        | 43.22       | 40.8        |
| 652785805        | 3821803    | 41x21, 41x41, 41x51, 41x62, 41x82 | M8          | 50            | 24.06         | 6.00               | 13                 | 11                             | 1,100                    | 3,120                    | 54.85        | 43.22       | 40.8        |
| 652785806        | 3821804    | 41x21, 41x41, 41x51, 41x62, 41x82 | M8          | 60            | 34.06         | 6.00               | 13                 | 11                             | 1,100                    | 3,120                    | 64.85        | 43.22       | 40.8        |
| 652785808        | 3821805    | 41x21, 41x41, 41x51, 41x62, 41x82 | M8          | 80            | 54.06         | 6.00               | 13                 | 11                             | 1,100                    | 3,120                    | 84.85        | 43.22       | 40.8        |
| 652785810        | 3821806    | 41x21, 41x41, 41x51, 41x62, 41x82 | M8          | 100           | 74.06         | 6.00               | 13                 | 11                             | 1,100                    | 3,120                    | 104.85       | 43.22       | 40.8        |
| 652785010        | 3897000    | 41x21, 41x41, 41x51, 41x62, 41x82 | M10         | 100           | 70.56         | 8.00               | 17                 | 15                             | 1,250                    | 5,000                    | 102.85       | 43.22       | 40.8        |