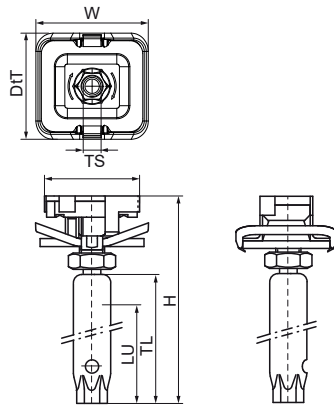


## Walraven RapidStrut® Ball Swivel Hanger

(H2475)

for flexible connections and pipe movement



### Features & benefits

- slide nut with ball swivel hanger, washer and Walraven RapidStrut® spring
- recommended for metal pipes up to DN 50, plastic pipes up to DN 100
- ready-to-use pre-assembled for a quick fixing, and retains assembly in place before final tightening
- with inspection hole to check screw-in depth (attention: when the threaded rod is screwed-in too deep, the ball swivel is blocked)
- screw-in depth is continuously variable (see LU)
- material: metal parts made of steel 1.0332; spring(s) made of POM (polyoxymethylene), green
- zinc plated
- tested for fire safety according to EN 1363-1
- Always use 2 ball swivel hangers and secure by additional hexagon nut (see application picture).
- The maximum length change that can be dealt with, depends on the fixing distance (ceiling - pipe). The height difference that occurs as a result, needs to be taken into consideration.
- To be used in combination with Walraven Ball Swivel Hangers.



Product Number	RSK Number	For Rail Type	Thread Size	Thread Length	Usable Length	Maximum Allowed Load Faz	Total Height	Total Width	Total Depth
Reference letter			TS	TL	LU	Fa,z	H	W	DtT
Unit description				mm	mm	N	mm	mm	mm
66530005	3821240	41x21, 41x41, 41x51, 41x62, 41x82	M10	50	43	3,100	80	43.2	40.8
66530805	3821239	41x21, 41x41, 41x51, 41x62, 41x82	M8	50	37.5	3,100	80	43.2	40.8