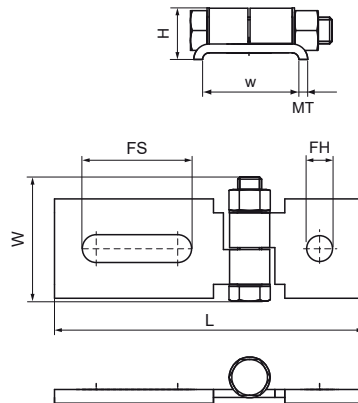
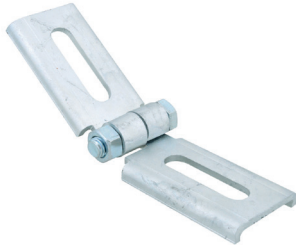


Walraven RapidStrut® Connector, Hinged (BUP1000)

(H2840)

for flexible angle connections



Features & benefits

- to make fabrication with Walraven RapidStrut® Rail
- fully adjustable
- material: steel 1.0332
- product is part of the Walraven UltraProtect® 1000 system
- suitable for in- and outdoor applications
- stands min. 1,000 hours salt spray test (max. 5% red rust) according to ISO 9227

| Product Number | RSK Number | For Rail Type | Total Height | Total Width | Total Length | Material Thickness | Width | Fixing Hole | Fixing Slot | Maximum Allowed Load Faz |
|-------------------------|------------|-----------------------------------|--------------|-------------|--------------|--------------------|-----------|-------------|-------------|--------------------------|
| <i>Reference letter</i> | | | <i>H</i> | <i>W</i> | <i>L</i> | <i>MT</i> | <i>w</i> | <i>FH</i> | <i>FS</i> | <i>F_{a,z}</i> |
| <i>Unit description</i> | | | <i>mm</i> | <i>mm</i> | <i>mm</i> | <i>mm</i> | <i>mm</i> | <i>mm</i> | <i>mm</i> | <i>N</i> |
| 66581821 | 3849579 | 41x21, 41x41, 41x51, 41x62, 41x82 | 24.1 | 62.5 | 115.4 | 4.00 | 42 | 13 | | 1,000 |
| 66581822 | 3849580 | 41x21, 41x41, 41x51, 41x62, 41x82 | 24.1 | 62.5 | 155.9 | 4.00 | 42 | 13 | 45x14 | 1,000 |
| 66581823 | 3849581 | 41x21, 41x41, 41x51, 41x62, 41x82 | 24.1 | 62.5 | 196.4 | 4.00 | 42 | | 45x14 | 1,000 |