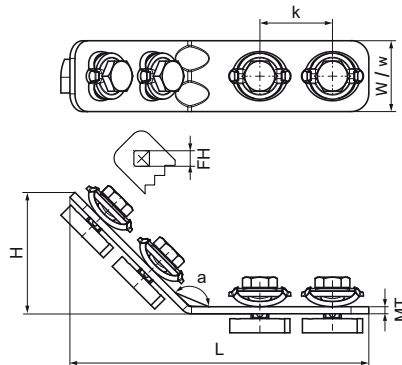


Walraven RapidStrut® Rail Connector 135° G2 (BUP1000)

(H2854)

to make Strut rail fabrications



Features & benefits

- connector with pre-assembled Walraven RapidStrut® Slide nut(s)
- to make fabrication with Walraven RapidStrut® Rail
- ready-to-use pre-assembled for a quick fixing, and retains assembly in place before final tightening
- 'Direct Twist' technology for easy and secure installation
- visual guide to check the position of the slide nut
- optimized for easy installation with electrical tools
- material: metal parts made of steel 1.0332; spring(s) made of POM (polyoxymethylene), green
- product is part of the Walraven UltraProtect® 1000 system
- suitable for in- and outdoor applications
- stands min. 1,000 hours salt spray test (max. 5% red rust) according to ISO 9227



| Product Number | RSK Number | For Rail Type | Angle | Total Height | Total Width | Total Length | Material Thickness | Width | Fixing Hole | Heart To Heart Distance |
|------------------|------------|-----------------------------------|----------|--------------|-------------|--------------|--------------------|----------|-------------|-------------------------|
| Reference letter | | | <i>a</i> | <i>H</i> | <i>W</i> | <i>L</i> | <i>MT</i> | <i>w</i> | <i>FH</i> | <i>k</i> |
| Unit description | | | ° | mm | mm | mm | mm | mm | mm | mm |
| 665885235 | 3821820 | 41x21, 41x41, 41x51, 41x62, 41x82 | 135 | 83.4 | 40 | 173.6 | 4.00 | 40 | 13.8 | 41 |
| 665885330 | 3821821 | 41x21, 41x41, 41x51, 41x62, 41x82 | 135 | 50.3 | 40 | 139.8 | 4.00 | 40 | 13.8 | 41 |