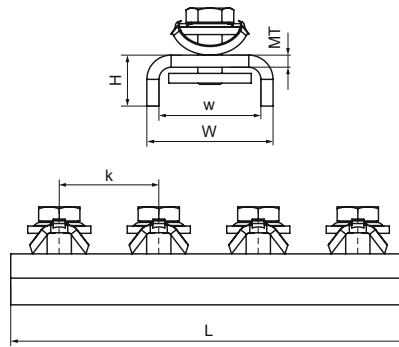


Walraven RapidStrut® Rail Connector - U-shaped G2 (BUP1000)

(H2889)

to make Strut rail fabrications



Features & benefits

- connector with pre-assembled Walraven RapidStrut® Slide nut(s)
- to make fabrication with Walraven RapidStrut® Rail
- ready-to-use pre-assembled for a quick fixing, and retains assembly in place before final tightening
- material: metal parts made of steel 1.0332; spring(s) made of POM (polyoxymethylene), green
- product is part of the Walraven UltraProtect® 1000 system
- suitable for in- and outdoor applications
- stands min. 1,000 hours salt spray test (max. 5% red rust) according to ISO 9227



| Product Number | RSK Number | For Rail Type | Total Height | Total Width | Total Length | Material Thickness | Width | Heart To Heart Distance | Torque Moment For Installation |
|-------------------------|------------|-----------------------------------|--------------|-------------|--------------|--------------------|-----------|-------------------------|--------------------------------|
| <i>Reference letter</i> | | | <i>H</i> | <i>W</i> | <i>L</i> | <i>MT</i> | <i>w</i> | <i>k</i> | <i>T inst.</i> |
| <i>Unit description</i> | | | <i>mm</i> | <i>mm</i> | <i>mm</i> | <i>mm</i> | <i>mm</i> | <i>mm</i> | <i>Nm</i> |
| 665885421 | 3821828 | 41x21, 41x41, 41x51, 41x62, 41x82 | 39.9 | 52 | 163 | 5.00 | 42 | 41 | 30 |