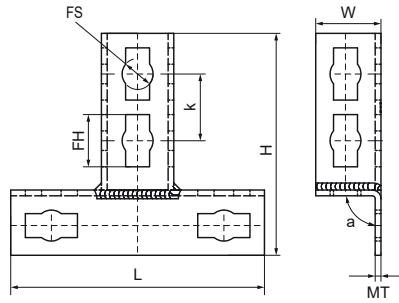
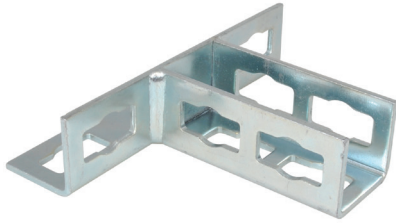


## Walraven PushStrut T-Connector

(H2925)

for easy installation of complex rail constructions



### Features & benefits

- easily combined with all common Walraven RapidStrut® profiles
- stable T-connection due to lateral edges
- flexible use of hole pattern (flexible twist of hole pattern possible)
- timesaving and flexible
- easy to remove and reusable
- 3D constructions due to 3D Connectors
- material: steel
- zinc plated

| Product Number          | RSK Number | For Rail Type                     | Angle    | Total Height | Total Width | Total Length | Material Thickness | Width    | Fixing Hole | Fixing Slot | Heart To Heart Distance | Torque Moment For Installation |
|-------------------------|------------|-----------------------------------|----------|--------------|-------------|--------------|--------------------|----------|-------------|-------------|-------------------------|--------------------------------|
| <i>Reference letter</i> |            |                                   | <i>a</i> | <i>H</i>     | <i>W</i>    | <i>L</i>     | <i>MT</i>          | <i>w</i> | <i>FH</i>   | <i>FS</i>   | <i>k</i>                | <i>T<sub>inst.</sub></i>       |
| <i>Unit description</i> |            |                                   | °        | mm           | mm          | mm           | mm                 | mm       | mm          | mm          | mm                      | Nm                             |
| 6594020                 | 3806147    | 41x21, 41x41, 41x51, 41x62, 41x82 | 90       | 153          | 45          | 175          | 4.00               | 41       | 21.3        | 36x16,5     | 46                      | 40                             |