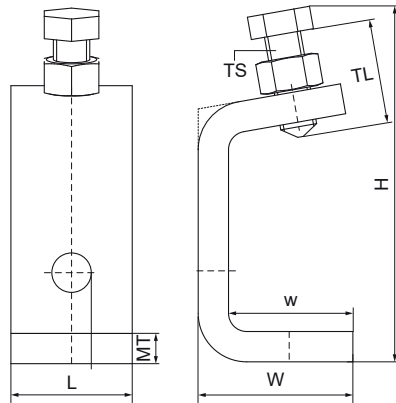


Walraven RapidStrut® Beam Clamp

(H3620)

to connect Strut rails to steel beams



Features & benefits

- for a solid fixing to steel construction without the need for welding or drilling
- always use 2 beam clamps per fixing
- material: steel 1.0332
- zinc plated

Product Number	RSK Number	For Rail Type	Total Height	Total Width	Total Length	Thread Size	Thread Length	Width	Material Thickness	Maximum Allowed Load Faz	Torque Moment For Installation
<i>Reference letter</i>			<i>H</i>	<i>W</i>	<i>L</i>	<i>TS</i>	<i>TL</i>	<i>w</i>	<i>MT</i>	<i>F_{a,z}</i>	<i>T_{inst.}</i>
<i>Unit description</i>			<i>mm</i>	<i>mm</i>	<i>mm</i>		<i>mm</i>	<i>mm</i>	<i>mm</i>	<i>N</i>	<i>Nm</i>
66583736	4125783	41x41, 41x21D	92	51	40	M12	50	41	10.00	4,500	30