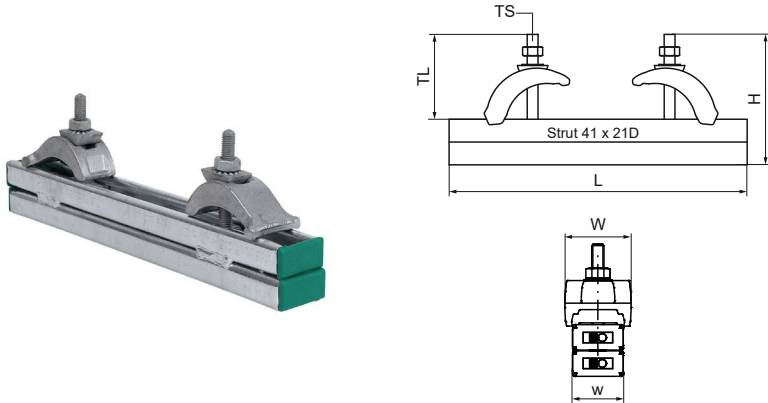


Walraven RapidStrut® 41x21D 'Heavy Duty' Set

(H3625)

complete set for steel beam fixing



Features & benefits

- solid cast iron beam clamp for suspension of heavy loads onto beams without welding or drilling
- up to flange thickness 35 mm
- material: beam clamp made of steel; rail made of steel 1.0332
- hot dip galvanized
- consists of: 1 length of Walraven RapidStrut® Rail 41x21D, 2 Beam clamps (Part No. 607 2 002), 4 Rail End Caps
- beam clamp also available loose

Product Number	RSK Number	For Rail Type	Total Height	Total Width	Total Length	Thread Size	Thread Length	Width	Material Thickness	Maximum Allowed Load Faz	Maximum Allowed Load Fax	Torque Moment For Installation
Reference letter			H	W	L	TS	TL	w	MT	Fa,z	Fa,x	T inst.
Unit description			mm	mm	mm		mm	mm	mm	N	N	Nm
6073400	3820368	41x21	110	52	400	M10	63	41	9.00	5,000	1,500	30
6073600	3856113	41x21	110	52	600	M10	63	41	9.00	5,000	1,500	30