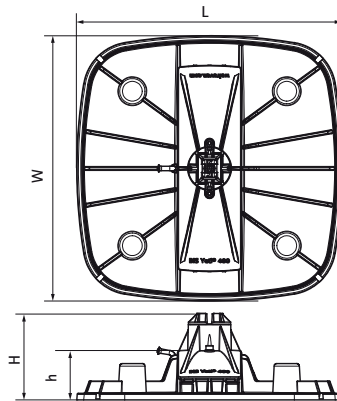


## Walraven Yeti® 480 Support System

(10405)

for Rooftop Installations



### Features & benefits

- modular supporting system for HVAC equipment, solar panels, walkways, pipe work, cable runs, etc.
- for flat and low pitched roofs
- adjustable up to 7° to compensate roof pitch
- 360° rotatable insert for Walraven RapidStrut® 41x41 or Walraven RapidStrut® DS 5 (41x52 mm)
- with non-slip anti-vibration mat (at PVC roofs a separating layer must be installed to protect against plasticizer migration - see Walraven Walraven Yeti® Triplex Separation Layer)
- with optional stackable ballast block for increased weight / stability
- mouldings made of WPC, a composite of recycled plastic and wood fibre
- resistant to UV and chemical influences
- noise reduction according to DIN EN ISO 10140-1 and DIN EN ISO 10140-3 up to 31 dB(A)
- UV-resistance according to EN ISO 16474-3:2014-02 - certified by ITB
- For a detailed calculation and for support how to spread the load please contact Walraven Technical Support.
- In cases where a foot is used in roof applications, the installer is obliged to verify maximum load capacity of roof before installation.

Product Number	RSK Number	Model	Total Width	Total Length	Total Height	Height
<i>Reference letter</i>			<i>W</i>	<i>L</i>	<i>H</i>	<i>h</i>
<i>Unit description</i>			<i>mm</i>	<i>mm</i>	<i>mm</i>	<i>mm</i>
67685001	3820550	Vertical	486	486	158	75
67685101	3820551	Horizontal	486	486	91	70.5
67685301		H-Set without rail	486	486	158	75