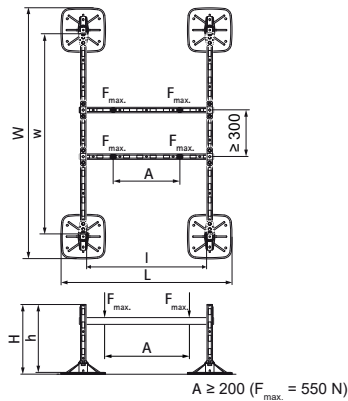


Walraven Yeti® 335 Frame Set DS-5 Small (BUP1000)

(10414)

Set for quick installation of units on flat roofs



Features & benefits

- complete set for supporting installation appliances on flat roofs
- suitable for wide range of commonly used airco's, ventilation units, etc.
- with non-slip anti-vibration mat
- predefined load capacity: calculation not necessary
- mouldings made of WPC, a composite of recycled plastic and wood fibre
- product is part of the Walraven Walraven UltraProtect® 1000 system
- suitable for in- and outdoor applications
- stands min. 1,000 hours salt spray test (max. 5% red rust) according to ISO 9227
- noise reduction according to DIN EN ISO 10140-1 and DIN EN ISO 10140-3 up to 31 dB(A)
- sets meet the requirements of DIN 18531-1
- UV-resistance according to EN ISO 16474-3:2014-02 - certified by ITB
- Before mounting, the roof load capacity has to be confirmed by a structural engineer
- If changes to the mounting parameters is necessary then please contact Walraven Technical Department.
- The maximum recommended loads are calculated without accounting for wind and snow actions, which can vary significantly depending on local conditions. To ensure safety under typical circumstances, a global safety factor of 2 is applied.
- For project-specific calculations or site-specific conditions, please contact Walraven Technical Support for detailed assistance

Product Number	RSK Number	Total Height	Total Width	Total Length	Height	Length	Width
<i>Reference letter</i>		<i>H</i>	<i>W</i>	<i>L</i>	<i>h</i>	<i>l</i>	<i>w</i>
<i>Unit description</i>		<i>mm</i>	<i>mm</i>	<i>mm</i>	<i>mm</i>	<i>mm</i>	<i>mm</i>
67685501	3892223	520	1,876	1,294	500	1,000	1,500