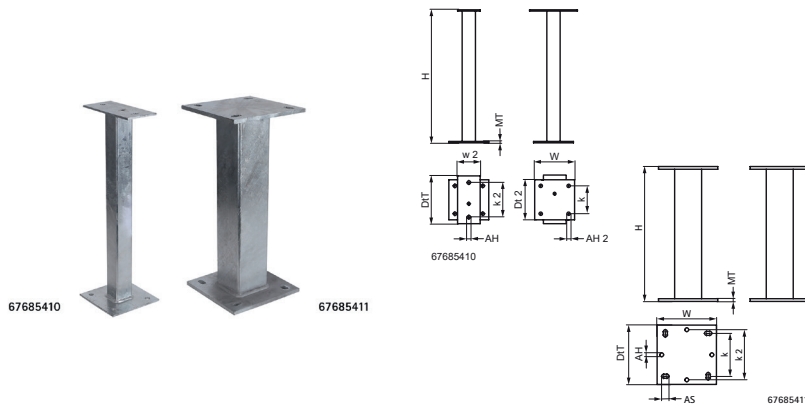


## Walraven Rooftop Anchor

(10419)

for connecting rooftop constructions to the building structure



### Features & benefits

- to connect rooftop installations with the building structure
- as fixpoint construction when required
- the inside of the mounting base must be filled with weatherproof expanding foam on site to avoid thermal bridges
- material: steel S235JR
- hot dip galvanized

Product Number	For Rail Type	Total Height	Total Width	Total Depth	Depth 2	Width 2	Material Thickness	Material Thickness 2	Anchoring Hole	Anchoring Hole 2	Anchoring Slot	Heart To Heart Distance
Reference letter		H	W	DtT	Dt2	w 2	MT	MT2	AH	AH2	AS	k
Unit description		mm	mm	mm	mm	mm	mm	mm	mm	mm	mm	mm
67685410	41x41, 41x51, 41x62, 41x82	650	150	180	150	85	5.00	4	13	13		105
67685411	80x80, 100x100, 100x120, 100x150	650	220	220			10.00		14		27x15	159