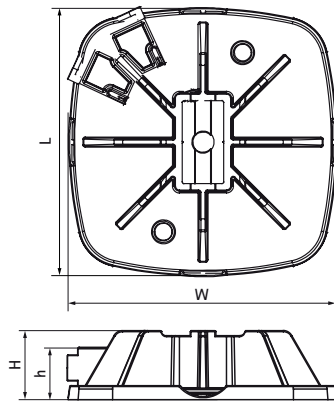


Walraven Yeti® 130 Support System

(10450)

for Light Rooftop Installations



Features & benefits

- modular supporting system for light rooftop installations
- for horizontal and vertical applications
- flexible and cost-effective solution for pipes, cable runs, air duct channels etc.
- with non-slip anti-vibration mat
- with unique click-mechanism for quick and safe installation
- mouldings made of WPC, a composite of recycled plastic and wood fibre
- plastic components made from 100% recycled material
- resistant to UV and chemical influences
- noise reduction according to DIN EN ISO 10140-1 and DIN EN ISO 10140-3
- UV-resistance according to EN ISO 16474-3:2014-02 - certified by ITB
- For a detailed calculation and for support how to spread the load please contact Walraven Technical Support.
- In cases where a foot is used in roof applications, the installer is obliged to verify maximum load capacity of roof before installation.

Product Number	RSK Number	Total Width	Total Length	Total Height	Height
<i>Reference letter</i>		<i>W</i>	<i>L</i>	<i>H</i>	<i>h</i>
<i>Unit description</i>		<i>mm</i>	<i>mm</i>	<i>mm</i>	<i>mm</i>
67685130	4436235	130	130	33	7