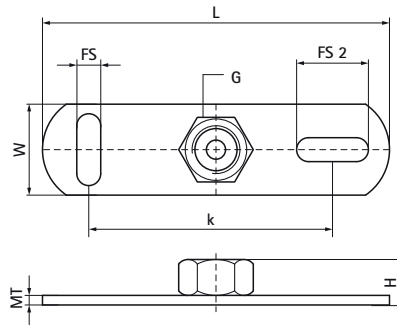


Walraven Wall Plate 670

(K1505)

fixing to ceiling or floor



Features & benefits

- fixings to ceiling or floor (only tension loads recommended)
- slots at 90° to each other to simplify fixing
- with resistance welded connection nut
- material: steel
- zinc plated

Product Number	RSK Number	Connection Thread	Total Length	Total Width	Total Height	Material Thickness	Fixing Slot	Fixing Slot 2	Heart To Heart Distance	Maximum Allowed Load Faz
Reference letter		G	L	W	H	MT	FS	FS 2	k	F _{0,z}
Unit description			mm	mm	mm	mm	mm	mm	mm	N
6703006		M6	80	25	12	3.00	15x8,5	15x8,5	50	2,500
6703008	3806103	M8	80	25	12	3.00	15x8,5	15x8,5	50	2,500
6703009	3806143	M8/M10	80	25	22	3.00	15x8,5	15x8,5	50	2,500
6703010	3806104	M10	80	25	14	3.00	15x8,5	15x8,5	50	2,500
6703016		M16	80	25	17	3.00	15x8,5	15x8,5	50	2,500
6703021		G½"	80	27	19	3.00	15x8,5	15x8,5	50	2,500